

# Thermrad

Technical brochure



# Designers of comfort

## DESIGN AND INNOVATION FROM YEARS OF EXPERIENCE

Thermrad has been offering heating solutions for every living or working situation for 30 years. From the start, our brand has focused on traditional and high quality affordable panel radiators. We keep on innovating to live up to market demands today and in the future. That's why our product range keeps expanding and we grew to be an important player on the radiator market. Our broad assortment consists of panel radiators, design radiators, towel radiators and a complete high-end underfloor heating system. We offer a large range of over 1,000 varieties of luxurious, attractive design radiators. Nearly all of them are directly available from stock, shipped within one or several days. Therefore, Thermrad is able to offer a solution for every size, capacity or installation and is always compatible with traditional heating systems or low temperature systems.



### **Broad range**

We have over 1,000 sizes in stock, from steel and aluminium to electric and from design to traditional.



### **Flexible installation**

Our radiators can be installed in many different ways. Because of the various connection options, we have a solution for pretty much every situation.



### **Fast shipment**

Because we have most of our assortment on stock, shipping doesn't take weeks but just a few days, varying per product.

# Index

Horizontal radiators	4
Compact-4 Plus	5
Compact-4 Plateau	9
Compact-6 Plateau Hybrid	13
Super-8 Compact	17
Super-8 Plateau	21
Super-8 Compact 200	24
Super-8 Plateau 200	24
Super-8 Sani Coat	26
AluBasic	28
Horizontal radiator accessories	31
Vertical radiators	32
Vertical Compact	33
Vertical Plateau	33
Vertical Line Plateau	33
Vertical Plateau-E	36
AluStyle	38
AluStyle Plus	40
AluSoft	42
AluSoft-E	44
Vertical radiator accessories	47
Towel radiators	48
Basic-E	49
Basic-4	52
Basic-6	54
Lina	56
Towel radiator accessories	58
Underfloor heating	60
Distributor Standard	61
Distributor Brass	62
Distributor Composite Industrial	63
Distributor Composite LTV	64
Distributor Separate System	65
Pipe underfloor heating	66
Underfloor heating assembly systems	67
Control system	70

# Horizontal radiators





## Compact-4 Plus

The Thermrad Compact-4 Plus is a classic panel radiator, used in situations where a base connection isn't an option. This series is provided with a decorative casing, side trim and is very well priced for a system with four 1/2" connections.

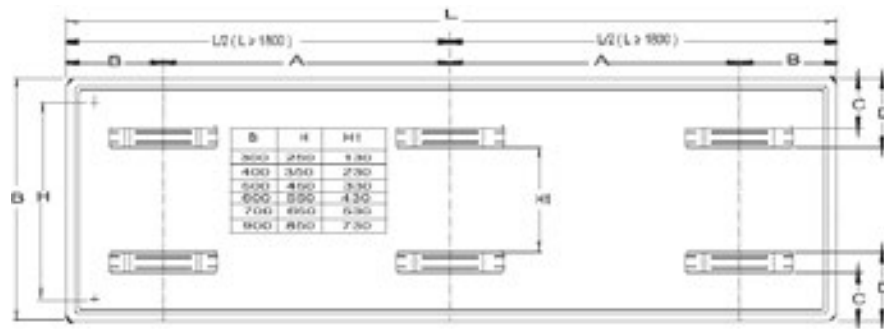
The heat transmitting decorative casing doesn't just make it look good, but also covers any sharp edges and the top.

This makes the radiator safe for children and a perfect choice for schools and healthcare institutions.

The Thermrad Compact-4 Plus is the ideal choice when it comes to replacing or renovating side connected radiators. Every radiator is delivered with L-consoles for quick and invisible wall mounting.

<b>Heat emission</b>	According to the European Standard EN442
<b>Material</b>	Cold rolled steel according to EN10130 Surface treatment in 5 phases: <ul style="list-style-type: none"> <li>• Alkaline degreasing</li> <li>• Phosphating</li> <li>• Cathodic priming</li> <li>• Epoxy powder coating</li> <li>• Powder coating at 210°C</li> </ul> White RAL 9016
<b>Color</b>	White RAL 9016
<b>Maximum operating temperature</b>	110°C
<b>Work pressure</b>	10 bar
<b>Molding pressure</b>	13 bar
<b>Connections</b>	4x 1/2"
<b>Heights</b>	300 – 400 – 500 – 600 – 700 – 900 mm
<b>Types</b>	Type 11 – 21 – 22 – 33
<b>Warranty</b>	10 years on manufacturing errors, only when the radiator is used under normal circumstances in a heating system using warm water
<b>Delivered including</b>	<ul style="list-style-type: none"> <li>• Top grid and side panels</li> <li>• Suspension strips and L-consoles</li> <li>• Hexagon head wood screws and wall plugs</li> <li>• Blind plug, air vent and siphon</li> </ul>
<b>Fixed 100 Watt price</b>	Order No. 9188913, super-fast calculation

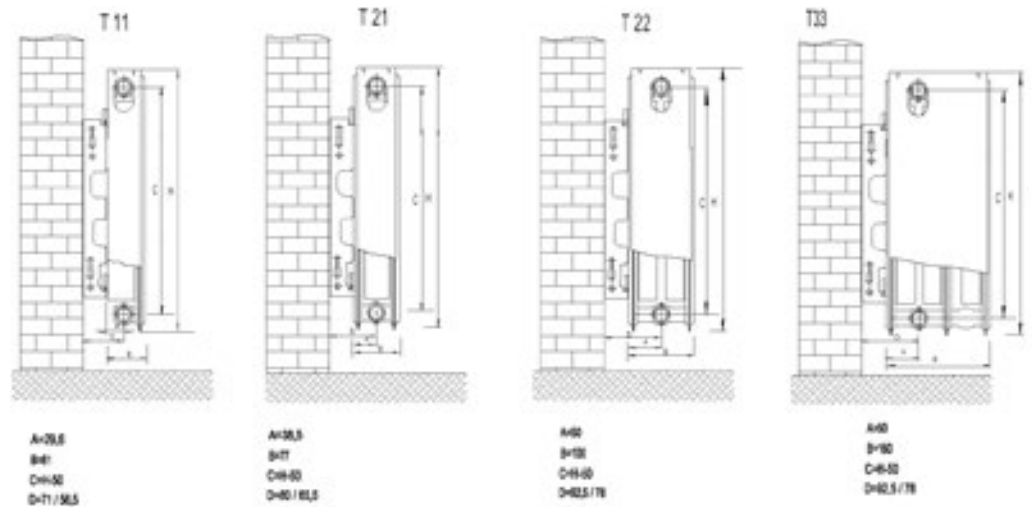
Position of the suspension strips and available in sizes (in mm)



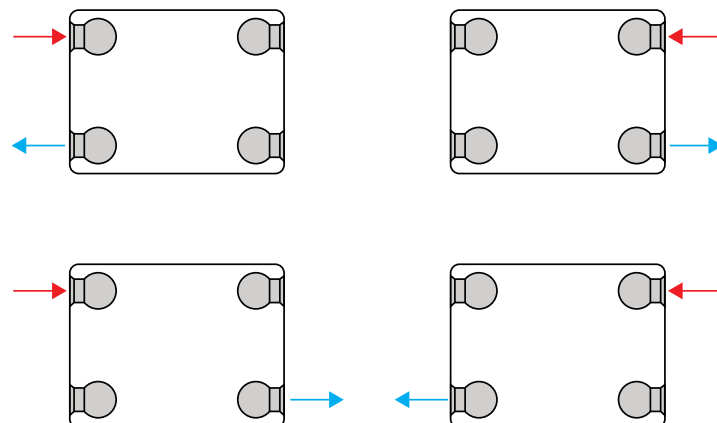
Length radiator	A	B	C	D	Brackets
400	134	133	60	85	2
500	234	133	60	85	2
600	334	133	60	85	2
700	434	133	60	85	2
800	534	133	60	85	2
900	634	133	60	85	2
1000	734	133	60	85	2
1100	834	133	60	85	2
1200	934	133	60	85	2
1400	1134	133	60	85	2
1600	1334	133	60	85	2

Length radiator	A	B	C	D	Brackets
1800	767	133	60	85	3
2000	867	133	60	85	3
2200	967	133	60	85	3
2400	1067	133	60	85	3
2600	1167	133	60	85	3
2700	1217	133	60	85	3
2800	1267	133	60	85	3
3000	1367	133	60	85	3

Side views



Connections









# Magnetic towel bars

The universal, magnetic towel bars are suitable for all brands of steel panel- and design radiators with a flat front panel, including all types of Thermrad radiators. With a length of 450 mm and 550 mm, the towel bars are available in the colors white and chrome.

The two ultra-strong magnets, positioned on both sides of the towel bar, have a total capacity of about 9 kg. That's enough to hold a towel or bath robe without losing the ability to move or remove the towel bar.

Both magnets are provided with a synthetic protective layer, to prevent damaging the flat front plate of the radiator. Directly available from stock!

## Magnetic towel bar

Size	450mm	450mm	550mm	550mm
Color	White RAL 9016	Chrome	White RAL 9016	Chrome
Order No.	9180658	9180659	9189311	9189313





## Compact-4 Plateau

The Thermrad Compact-4 Plateau has 4 connections and is perfect for situations where a base connection isn't an option. Because of its fair price and high heat emission, this radiator is a great choice for any renovation or building project.

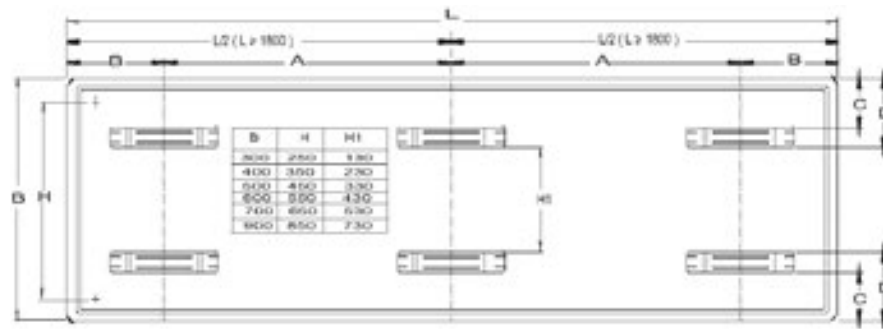
The Thermrad Compact-4 Plateau fits in with any interior because of its flat design and sleek finished decorative frame

and side panels. The heat transmitting decorative casing doesn't just make it look good, but also covers any sharp edges and the top. Are you looking for an affordable panel radiator with a luxurious touch? In that case, the Thermrad Compact-4 Plateau is the best choice for you.

Every radiator is delivered with L-consoles for quick and invisible wall mounting. The flat front panel is permanently fixed to the radiator, so it cannot be replaced in case of damage or restoration.

<b>Heat emission</b>	According to the European Standard EN442
<b>Material</b>	Cold rolled steel according to EN10130 Surface treatment in 5 phases: <ul style="list-style-type: none"> <li>• Alkaline degreasing</li> <li>• Phosphating</li> <li>• Cathodic priming</li> <li>• Epoxy powder coating</li> <li>• Powder coating at 210°C</li> </ul> White RAL 9016
<b>Color</b>	White RAL 9016
<b>Maximum operating temperature</b>	110°C
<b>Work pressure</b>	10 bar
<b>Molding pressure</b>	13 bar
<b>Connections</b>	4x 1/2"
<b>Heights</b>	300 – 400 – 500 – 600 – 700 – 900 mm
<b>Types</b>	Type 11 – 21 – 22 – 33
<b>Warranty</b>	10 years on manufacturing errors, only when the radiator is used under normal circumstances in a heating system using warm water
<b>Delivered including</b>	<ul style="list-style-type: none"> <li>• Top grid and side panels</li> <li>• Suspension strips and L-consoles</li> <li>• Hexagon head wood screws and wall plugs</li> <li>• Blind plug, air vent and siphon</li> </ul>
<b>Fixed 100 Watt price</b>	Order No. 9720028, super-fast calculation

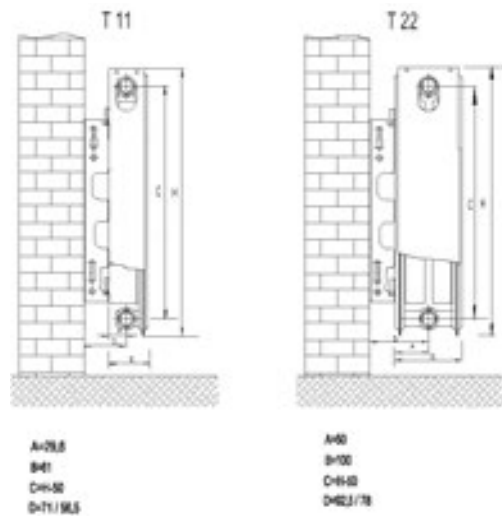
Position of the suspension strips and available in sizes (in mm)



Length radiator	A	B	C	D	Brackets
400	134	133	60	85	2
500	234	133	60	85	2
600	334	133	60	85	2
700	434	133	60	85	2
800	534	133	60	85	2
900	634	133	60	85	2
1000	734	133	60	85	2
1100	834	133	60	85	2
1200	934	133	60	85	2
1400	1134	133	60	85	2
1600	1334	133	60	85	2

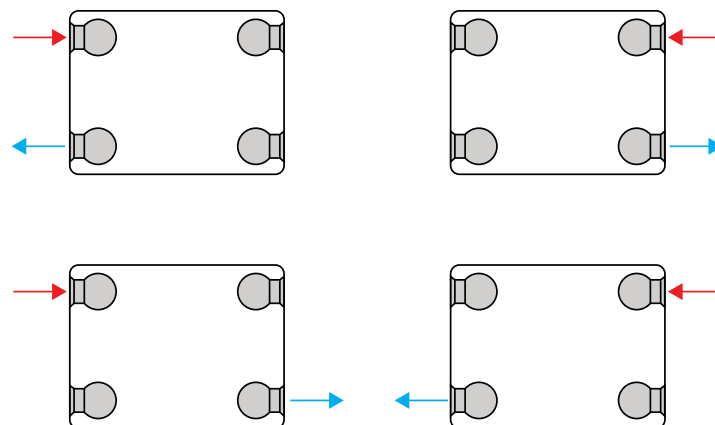
Length radiator	A	B	C	D	Brackets
1800	767	133	60	85	3
2000	867	133	60	85	3
2200	967	133	60	85	3
2400	1067	133	60	85	3
2600	1167	133	60	85	3
2700	1217	133	60	85	3
2800	1267	133	60	85	3
3000	1367	133	60	85	3

Side views

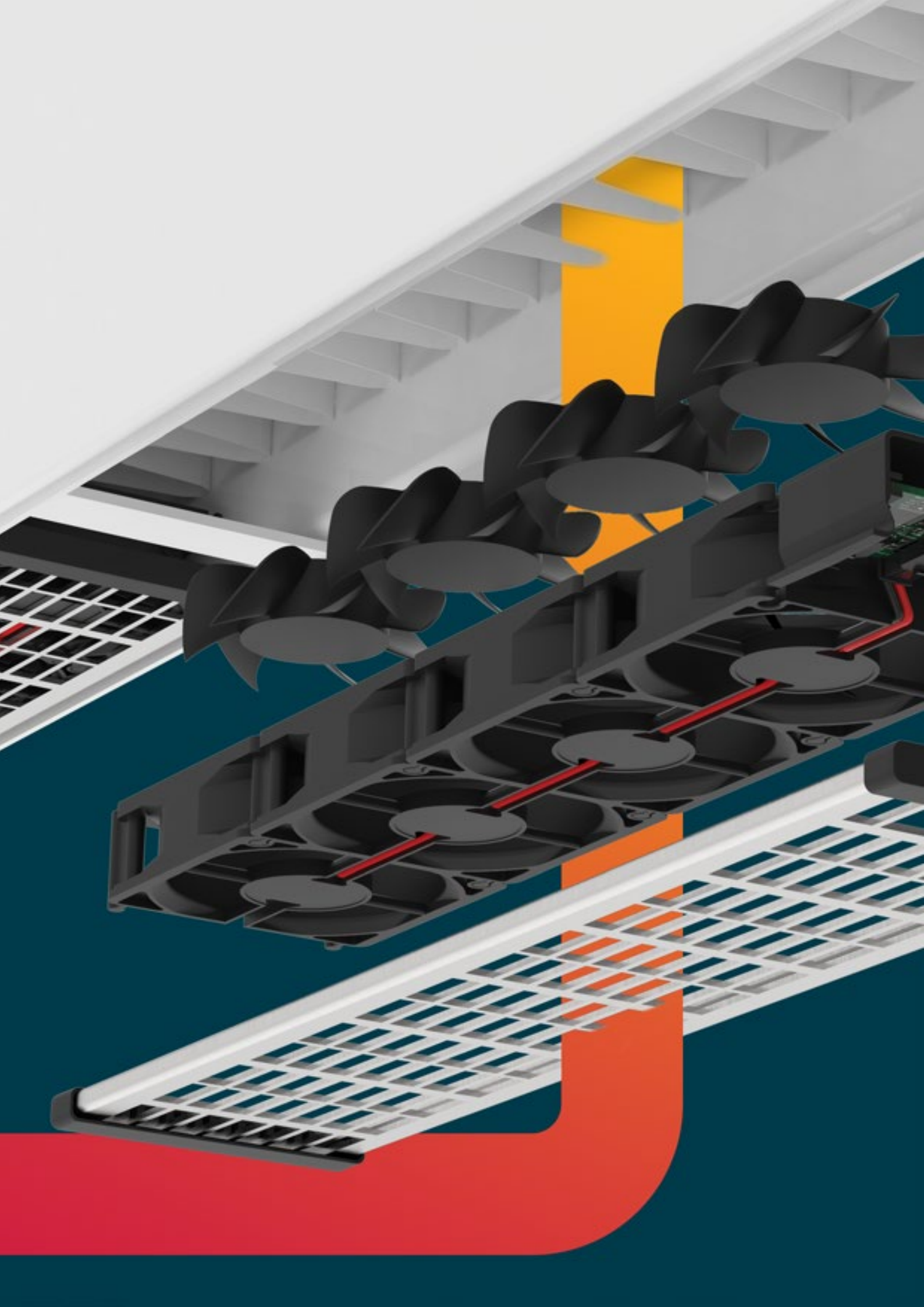


D = Distance at assembly on the short (23mm) or long (37,5mm) side of the L-console

Connections



Type		11			22		
Height	Length	Watt			Watt		
		EN442 55/45/20 °C			EN442 55/45/20 °C		
		EN442 75/65/20 °C			EN442 75/65/20 °C		
		Order No.			Order No.		
300	800				9728308	735	378
	1000				9728310	919	473
	1200				9728312	1103	567
	1400				9728314	1287	662
	1600				9728316	1470	757
	1800				9728318	1654	851
	2000				9728320	1838	946
	2400				9728324	2206	1135
	2800				9728328	2573	1324
400	500	9726405	299	156	9728405	583	298
	600	9726406	359	187	9728406	700	358
	700				9728407	816	418
	800	9726408	478	250	9728408	933	477
	900				9728409	1049	537
	1000	9726410	598	312	9728410	1166	597
	1100				9728411	1283	656
	1200	9726412	718	375	9728412	1399	716
	1400	9726414	837	437	9728414	1632	835
	1600	9726416	957	499	9728416	1866	954
	1800	9726418	1076	562	9728418	2099	1074
	2000	9726420	1196	624	9728420	2332	1193
	2200				9728422	2565	1312
	2400				9728424	2798	1432
	2600				9728426	3032	1551
	2800				9728428	3265	1670
500	400	9726504	290	151			
	500	9726505	363	189	9728505	695	354
	600	9726506	435	227	9728506	834	424
	700	9726507	508	265	9728507	973	495
	800	9726508	580	303	9728508	1112	566
	900				9728509	1251	636
	1000	9726510	725	378	9728510	1390	707
	1100				9728511	1529	778
	1200	9726512	870	454	9728512	1668	848
	1400	9726514	1015	530	9728514	1946	990
	1600	9726516	1160	605	9728516	2224	1131
	1800	9726518	1305	681	9728518	2502	1273
	2000	9726520	1450	757	9728520	2780	1414
	2200				9728522	3058	1556
	2400				9728524	3336	1697
	2600				9728526	3614	1838
2800				9728528	3982	1980	
3000				9728530	4170	2121	
600	500	9726605	425	222	9728605	796	403
	600	9726606	510	266	9728606	955	483
	700	9726607	595	310	9728607	1114	564
	800	9726608	680	355	9728608	1274	644
	900				9728609	1433	725
	1000	9726610	850	443	9728610	1592	805
	1100				9728611	1751	886
	1200	9726612	1020	532	9728612	1910	966
	1400	9726614	1190	621	9728614	2229	1127
	1600	9726616	1360	710	9728616	2547	1288
	1800				9728618	2866	1449
2000				9728620	3184	1610	
700	400				9728704	710	359
	500	9726705	487	253	9728705	887	449
	600	9726706	584	304	9728706	1064	538
	700				9728707	1242	628
	800	9726708	779	405	9728708	1419	718
	900				9728709	1597	808
1000	9726710	974	507	9728710	1774	897	
900	400	9726904	488	253	9728904	834	422
	500	9726905	611	316	9728905	1042	527
	600	9726906	733	379	9728906	1250	633
	700				9728907	1459	738
	800	9726908	977	505	9728900	1667	844
	900				9720909	1876	949
1000				9720910	2084	1055	





## Compact-6 Plateau Hybrid

The Thermrad Compact-6 Plateau Hybrid is a low temperature radiator, enabling you to heat your home without compromising on heat comfort. A low temperature regime reduces your heating bill as well as CO<sub>2</sub>-emissions. This way you can personally contribute to the European target of being carbon neutral by 2050.

The Thermrad Compact-6 Plateau Hybrid uses fans to provide extra convection heat. The convection technology allows the

system to quickly adjust to the desired temperature, while hardly making any noise. Sound levels are restricted to a minimum.

You can even use this radiator for cooling when using a heat pump, set at a minimum of 17°C. The cooling function is fully automated and feels like a pleasant, refreshing breeze.

<b>Heat emission</b>	According to the European Standard EN16430
<b>Material</b>	Cold rolled steel according to EN10130 Surface treatment in 5 phases: <ul style="list-style-type: none"> <li>• Alkaline degreasing</li> <li>• Phosphating</li> <li>• Cathodic priming</li> <li>• Epoxy powder coating</li> <li>• Powder coating at 210°C</li> </ul>
<b>Color</b>	White RAL 9016
<b>Min./max. operating temperature</b>	35 – 60 °C
<b>Work pressure</b>	10 bar
<b>Molding pressure</b>	13 bar
<b>Max. electrical power</b>	1.2 – 7 Watt
<b>Amount of fans</b>	4 – 21
<b>Regulation</b>	Fully automated, modulated control
<b>Cooling</b>	In combination with a heat pump, set at a minimum of 17°C
<b>Sound pressure</b>	Max. 32 dB(A) on a distance of 1 meter, for a radiator with a length of 1000 mm and a height of 600 mm
<b>Connections</b>	4x side-connection 1/2" 2x base-connection (right_ 1/2" c.t.c. 50 mm Base-connections from front view: inlet = left, outlet = right

**Heights**

400 – 600 – 900 mm

**Types**

Type 22

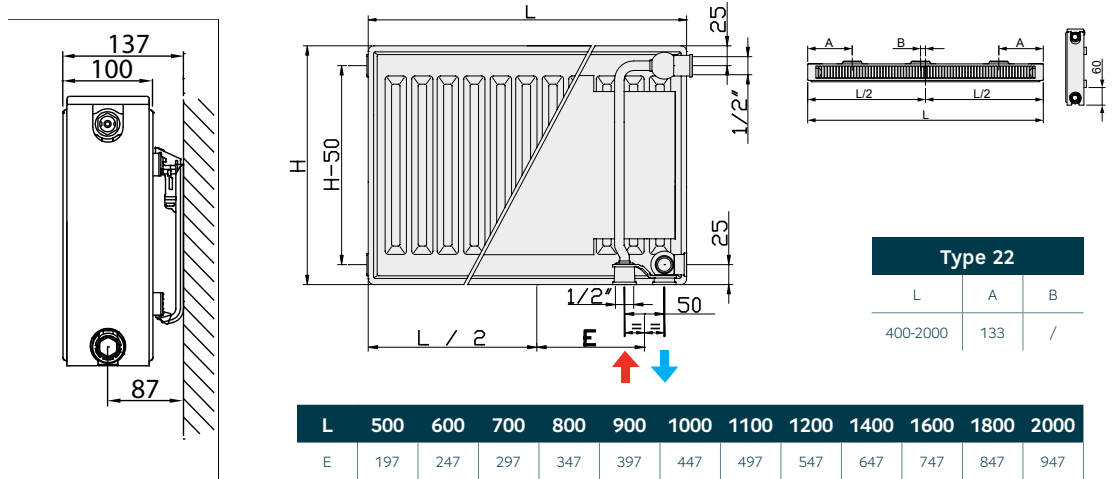
**Warranty**

10 years on the radiator and 2 years on electrical parts, only when the radiator is used under normal circumstances in a heating/cooling system using water

**Delivered including**

- Preassembled thermostatic insert M30 x 1,5 (tested according to EN215)
- Top grid and side panels
- AC/DC adapter 240V/12V with 1,5 m cable
- Suspension strips and VDI-consoles
- Screws and wall plugs
- Preassembled air vent and blind plug
- Installation manual
- Preassembled fans

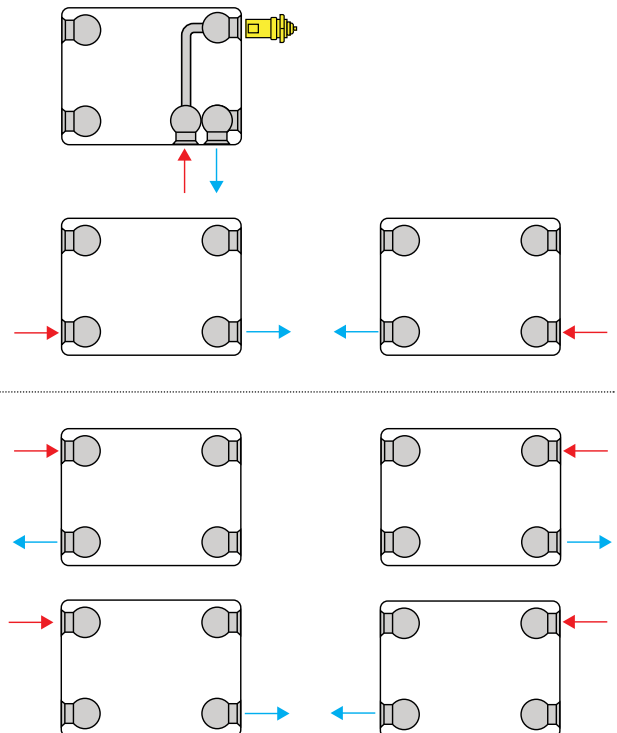
**Dimensions**



**Connections**

When assembling as a compact radiator, be sure to:

- remove the valve
- replace the synthetic plugs by brass blind plugs



- Connected as a compact radiator, with a supply at the top, the cooling effect will be nil!



## Heat emission

Type		22				
Height	Length	Order No.	EN16430		EN16430	
			Watt Standby		Watt Dynamisch max	
			45/35/20 °C	17/19/28°C	45/35/20 °C	17/19/28°C
400	500	9180060	158	57	254	95
	600	9180061	190	68	305	113
	700	9180062	222	80	355	132
	800	9180063	253	91	406	151
	900	9180064	285	103	457	170
	1000	9180065	317	114	508	189
	1100	9180066	349	125	558	208
	1200	9180067	380	137	609	227
	1400	9180068	444	160	711	265
	1600	9180069	507	182	812	302
	1800	9180070	570	205	914	340
2000	9180071	634	228	1015	378	
600	500	9180072	213	79	327	113
	600	9180073	256	94	392	135
	700	9180074	298	110	458	158
	800	9180075	341	126	523	180
	900	9180076	384	141	588	203
	1000	9180077	426	157	654	225
	1100	9180078	469	173	719	248
	1200	9180079	511	188	784	270
	1400	9180080	597	220	915	315
	1600	9180081	682	251	1046	360
	1800	9180082	767	283	1177	405
2000	9180083	852	314	1307	450	
900	500	9180084	296	107	406	122
	600	9180085	355	128	487	146
	700	9180086	414	149	568	170
	800	9180087	473	170	650	194
	900	9180088	533	192	731	219
	1000	9180089	592	213	812	243
	1100	9180090	651	234	893	267
	1200	9180091	710	256	974	292
	1400	9180092	828	298	1137	340
1600	9180093	947	341	1299	389	

= Warming  
 = Cooling

## Sound pressure

De Compact-6 Plateau Hybrid radiator works gradually. This always limits the sound levels to a minimum, you can barely even hear it. The radiator only runs on full power when the heat demand is at a maximum. The measured sound pressure at a distance of 1 meter, for a model with a height of 600 mm and a length of 1000 mm, is 32 dB(A). So it's very quiet.

How loud is a decibel?

db(A)	Perception	Examples
10	Almost silent	Breathing, falling leaf
20	Just about noticeable	Tree in a breeze
30	Very quiet	Whispering
40	Quiet	Living room, quiet classroom, slight chatter, refrigerator
50	Limited sound	Airconditioning, normal conversation, dishwasher

## Quick and easy calculation with a 100 watt price

It can be very time-consuming to select the right radiators with the perfect heat emission when calculating a project. With Thermrad's fixed 100 Watt prices, there's no need for complicated calculations.

The panel radiators from the Thermrad series Super-8 (Compact and Plateau) and Compact-4 (Plus and Plateau) have a fixed price versus heat emission ratio. For example, a 1,000 Watt radiator (within the same series) will cost you exactly half as much as a 2,000 Watt radiator. A fixed price per Watt makes it easy to calculate the total price, as soon as you know the desired heat demand. It's also possible to make a quick price comparison between the different Thermrad series. Long story short, with Thermrad you know exactly what you're going for.

Use the following general rules to calculate your desired heat:

Space	Recommended temperature	Required amount of Watt per m <sup>3</sup>
Bathroom	24°C	93 Watt
Living room/study	22°C	85 Watt
Kitchen	20°C	77 Watt
Bedroom	18°C	70 Watt

- At a 2°C higher temperature, the capacity should be increased by 10%
- In an old or badly insulated house, the capacity should be increased by approx. 10 to 15%
- In a well-insulated house (with insulated walls) the capacity can be reduced by 10 to 15%





## Super-8 Compact

The Thermrad Super-8 Compact can be used for many purposes and is fitted with no less than 8 pipe connections, making it ideal for almost any situation. The base-connections don't just make installation quick and easy, but also provide a clean finish, almost completely hiding the central heating pipes.

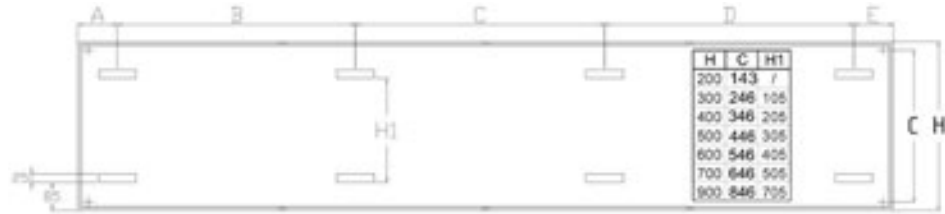
When using the central-base connections, the center of the connections is always at 66 mm from the wall. This enables you

to preplace the piping, before even knowing the exact dimensions of the radiator.

Because of the many connection possibilities, the Thermrad Super-8 radiators are perfect for new installations as well as expanding or replacing old radiators. Every radiator comes with convenient click consoles, for a quick, safe and invisible wall mounting.

<b>Heat emission</b>	According to the European Standard EN442
<b>Material</b>	Cold rolled steel according to EN10130 Surface treatment in 5 phases: <ul style="list-style-type: none"> <li>• Alkaline degreasing</li> <li>• Phosphating</li> <li>• Cathodic priming</li> <li>• Epoxy powder coating</li> <li>• Powder coating at 210°C</li> </ul> White RAL 9016
<b>Color</b>	White RAL 9016
<b>Maximum operating temperature</b>	110°C
<b>Work pressure</b>	10 bar
<b>Molding pressure</b>	13 bar
<b>Connections</b>	4x side-connection 1/2" 4x base-connection 3/4" euroconus, c.t.c. 50 mm Base-connections from front view: inlet = left, outlet = right
<b>Heights</b>	300 – 400 – 500 – 600 – 700 – 900 mm
<b>Types</b>	Type 11 – 20 – 21 – 22 – 33
<b>Warranty</b>	10 years on manufacturing errors, only when the radiator is used under normal circumstances in a heating system using warm water
<b>Delivered including</b>	<ul style="list-style-type: none"> <li>• Separate thermostatic insert M30 x 1,5</li> <li>• Top grid and side panels</li> <li>• Suspension strips and locking click consoles</li> <li>• Hexagon head wood screws and wall plugs</li> <li>• Blind plug, air vent and siphon</li> </ul>
<b>Fixed 100 Watt price</b>	Order No. 9188911, super-fast calculation

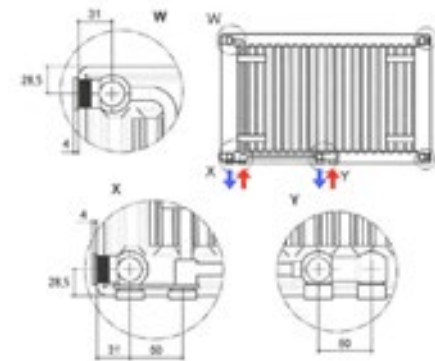
Position of the suspension strips and available in sizes (in mm)



Length radiator	A	B	C	D	E	Brackets
400	116	-	-	-	116	2
500	116	-	-	-	116	2
600	116	-	-	-	116	2
700	116	-	-	-	116	2
800	116	-	-	-	116	2
900	116	-	-	-	116	2
1000	116	-	-	-	116	2
1100	116	-	-	-	116	2
1200	116	-	-	-	116	2
1400	116	-	-	-	116	2

Length radiator	A	B	C	D	E	Brackets
1500	116	-	-	-	116	2
1600	116	668	-	700	116	3
1800	116	768	-	800	116	3
2000	116	868	-	900	116	3
2200	116	968	-	1000	116	3
2400	116	734	700	734	116	4
2600	116	767	834	767	116	4
2800	116	867	834	867	116	4
3000	116	934	900	934	116	4

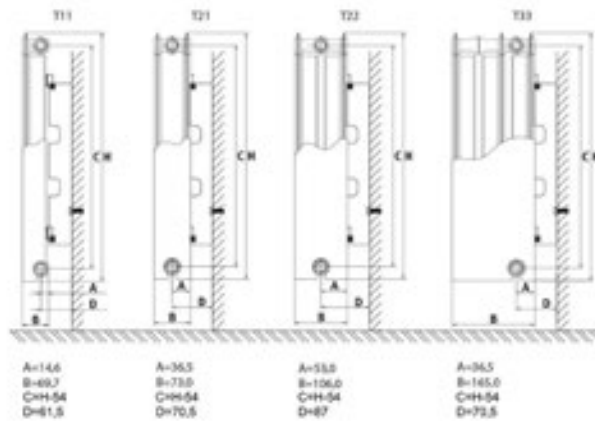
Piping connections (rear view)



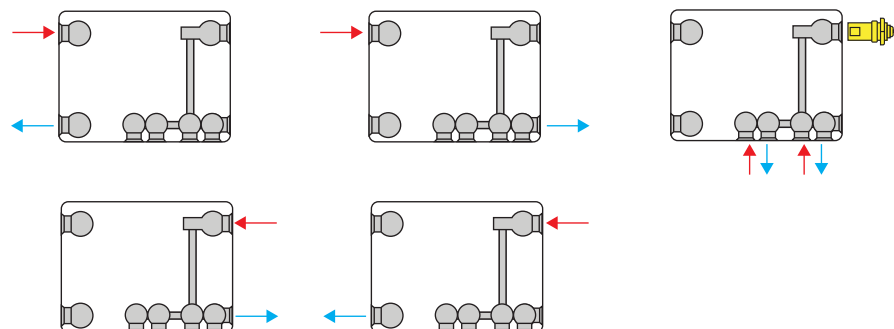
Bottom views



Side views



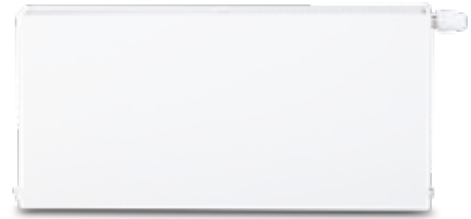
Connections











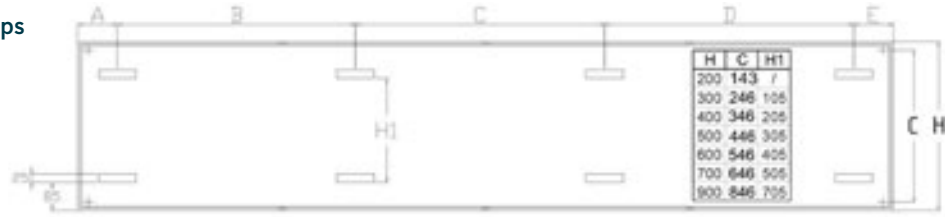
## Super-8 Plateau

The Thermrad Super-8 Plateau has a luxurious casing and a flat design front panel. Just like the Thermrad Super-8 Compact, the Thermrad Super-8 Plateau can be used in basically any situation.

The Thermrad Super-8 Plateau radiators are in a fixed higher price range compared to the regular Thermrad Super-8 radiators, but the installation costs are the same. The flat front panel is attached to the radiator with special clips and magnets, making it easy to replace in case of damage or renovation.

<b>Heat emission</b>	According to the European Standard EN442
<b>Material</b>	Cold rolled steel according to EN10130 Surface treatment in 5 phases: <ul style="list-style-type: none"> <li>• Alkaline degreasing</li> <li>• Phosphating</li> <li>• Cathodic priming</li> <li>• Epoxy powder coating</li> <li>• Powder coating at 210°C</li> </ul> White RAL 9016
<b>Color</b>	White RAL 9016
<b>Maximum operating temperature</b>	110°C
<b>Work pressure</b>	10 bar
<b>Molding pressure</b>	13 bar
<b>Connections</b>	4x side-connection 1/2" 4x base-connection 3/4" euroconus, c.t.c. 50 mm Base-connections from front view: inlet = left, outlet = right
<b>Heights</b>	300 – 400 – 500 – 600 – 700 – 900 mm
<b>Types</b>	Type 11 – 21 – 22 – 33
<b>Warranty</b>	10 years on manufacturing errors, only when the radiator is used under normal circumstances in a heating system using warm water
<b>Delivered including</b>	<ul style="list-style-type: none"> <li>• Separate thermostatic insert M30 x 1,5</li> <li>• Top grid and side panels</li> <li>• Suspension strips and locking click consoles</li> <li>• Hexagon head wood screws and wall plugs</li> <li>• Blind plug, air vent and siphon</li> </ul>
<b>Fixed 100 Watt price</b>	Order No. 9188912, super-fast calculation

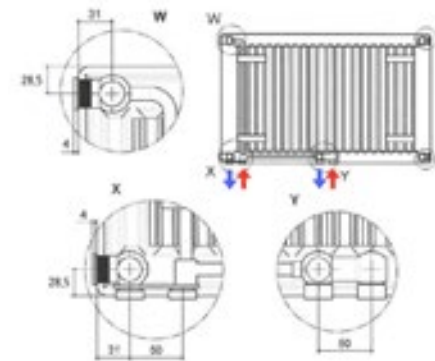
Position of the suspension strips and available in sizes (in mm)



Length radiator	A	B	C	D	E	Brackets
400	116	-	-	-	116	2
500	116	-	-	-	116	2
600	116	-	-	-	116	2
700	116	-	-	-	116	2
800	116	-	-	-	116	2
900	116	-	-	-	116	2
1000	116	-	-	-	116	2
1100	116	-	-	-	116	2
1200	116	-	-	-	116	2
1400	116	-	-	-	116	2

Length radiator	A	B	C	D	E	Brackets
1500	116	-	-	-	116	2
1600	116	668	-	700	116	3
1800	116	768	-	800	116	3
2000	116	868	-	900	116	3
2200	116	968	-	1000	116	3
2400	116	734	700	734	116	4
2600	116	767	834	767	116	4
2800	116	867	834	867	116	4
3000	116	934	900	934	116	4

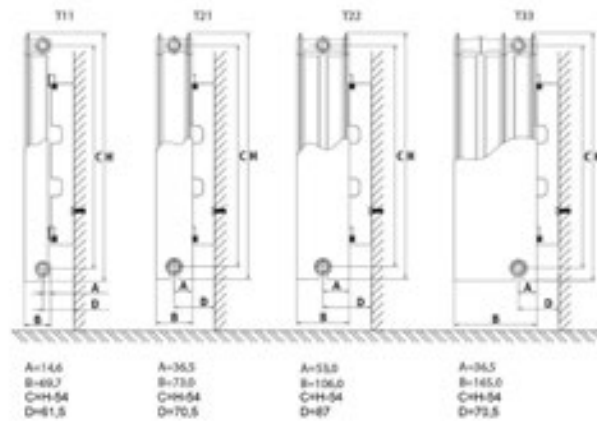
Piping connections (rear view)



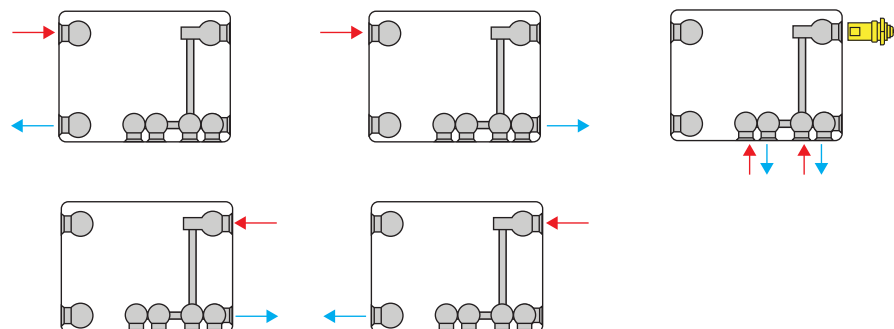
Bottom views



Side views



Connections



Type		11			21			22			33			
Height	Length	Watt			Watt			Watt			Watt			
		EN442 55/45/20 °C			EN442 55/45/20 °C			EN442 55/45/20 °C			EN442 55/45/20 °C			
		EN442 75/65/20 °C			EN442 75/65/20 °C			EN442 75/65/20 °C			EN442 75/65/20 °C			
	Order No.			Order No.			Order No.			Order No.				
300	500				9187305	343	173							
	600							9188306	527	265				
	800							9188308	702	354				
	1000				9187310	686	347	9188310	875	442	9189310	1236	628	
	1200							9188312	1050	531	9189312	1483	754	
	1400				9187314	960	485	9188314	1225	619	9189314	1730	879	
	1600							9188316	1400	708				
	1800							9188318	1575	796	9189318	2225	1130	
	2000				9187320	1372	694	9188320	1750	885				
	2200										9189322	2719	1382	
2400							9188324	2100	1062					
2800							9188328	2450	1238					
400	500	9186405	270	138				9188405	551	278				
	600	9186406	323	165				9188406	662	354				
	800	9186408	431	220	9187408	692	352	9188408	881	445	9189408	1226	623	
	900							9188409	991	501				
	1000	9186410	539	275	9187410	865	440	9188410	1101	557	9189410	1532	778	
	1200	9186412	647	330	9187412	1038	527	9188412	1321	668	9189412	1838	934	
	1400	9186414	755	385	9187414	1211	615	9188414	1541	779	9189414	2145	1090	
	1600	9186416	862	440	9187416	1384	703	9188416	1762	890	9189416	2451	1245	
	1800	9186418	970	496				9188418	1982	1002				
	2000	9186420	1078	551	9187420	1736	879	9188420	2202	1113	9189420	3064	1557	
	2200							9188422	2422	1224				
	2400							9188424	2642	1336				
	2600							9188426	2863	1447				
	2800							9188428	3083	1558				
	500	400	9186504	260	133				9188504	527	266			
		500	9186505	325	166				9188505	657	332			
600		9186506	389	199	9187506	620	317	9188506	788	399				
700		9186507	481	232				9188507	920	465	9189507	1275	645	
800		9186508	519	265	9187508	826	422	9188508	1051	531	9189508	1458	737	
900								9188509	1183	598				
1000		9186510	649	331	9187510	1033	528	9188510	1314	664	9189510	1822	921	
1200		9186512	779	398	9187512	1240	633	9188512	1577	797	9189512	2186	1105	
1400		9186514	909	464	9187514	1446	739	9188514	1840	930				
1600		9186516	1038	530	9187516	1653	844	9188516	2102	1063				
1800		9186518	1168	597				9188518	2365	1196				
2000		9186520	1298	663	9187520	2066	1055	9188520	2628	1328				
2200								9188522	2891	1461				
2400								9188524	3154	1594				
3000							9188530	3951	1993					
600	500	9186605	392	200				9188605	758	381				
	600	9186606	470	240	9187606	712	360	9188606	909	457	9189606	1266	640	
	700	9186607	550	280				9188607	1061	533				
	800	9186608	627	320	9187608	950	480	9188608	1212	609	9189608	1688	853	
	900							9188609	1364	686				
	1000	9186610	784	400	9187610	1187	600	9188610	1515	762	9189610	2110	1067	
	1200	9186612	941	480	9187612	1424	720	9188612	1818	914	9189612	2532	1280	
	1400	9186614	1098	561	9187614	1662	840	9188614	2121	1067				
	1600	9186616	1254	641				9188616	2424	1219				
	1800				9187618	2146	1080	9188618	2727	1371				
	2000							9188620	3030	1524				
	2200							9188622	3346	1676				
700	400	9186704	368	176				9188704	683	344				
	500	9186705	431	220				9188705	854	429				
	600	9186706	517	264				9188706	1025	515				
	700							9188707	1195	601				
	800	9186708	689	352				9188708	1366	687				
	900							9188709	1537	773				
	1000	9186710	861	440				9188710	1708	859				
1200							9188712	2060	1030					
900	400	9186904	425	217				9188904	828	417	9189904	1196	605	
	500	9186905	532	271	9187905	806	405	9188905	1036	521	9189905	1496	756	
	600	9186906	638	326	9187906	967	486	9188906	1243	625	9189906	1795	907	
	700							9188907	1450	729				
	800	9186908	850	434	9187908	1290	649	9188908	1657	833	9189908	2393	1210	
	900							9188909	1864	937				
	1000							9188910	2071	1041				

## Super-8 Compact & Plateau 200

This Thermrad radiator is both available in the Compact and Plateau edition, in an extra low model of just 200 mm high. This makes it very suitable for placement in spaces with parapets and floor level windows.

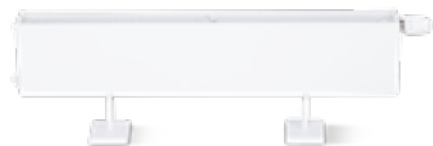
The central heating pipes can be almost completely hidden by using the base-connections.

Window radiators are not equipped with suspension strips because they're usually mounted on floor supports. The stand-alone floor consoles, that can be ordered separately, ensure an easy installation and a solid construction.

### Super-8 Compact 200

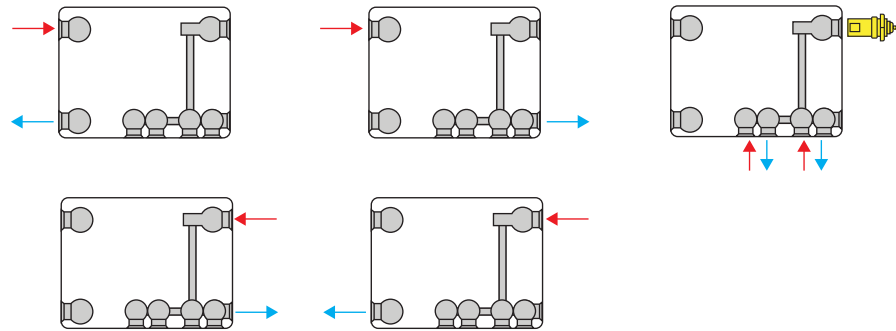


### Super-8 Plateau 200



<b>Heat emission</b>	According to the European Standard EN442
<b>Material</b>	Cold rolled steel according to EN10130 Surface treatment in 5 phases: <ul style="list-style-type: none"> <li>• Alkaline degreasing</li> <li>• Phosphating</li> <li>• Cathodic priming</li> <li>• Epoxy powder coating</li> <li>• Powder coating at 210°C</li> </ul> White RAL 9016
<b>Color</b>	
<b>Maximum operating temperature</b>	110°C
<b>Work pressure</b>	10 bar
<b>Molding pressure</b>	13 bar
<b>Connections</b>	4x side-connection 1/2" 4x base-connection 3/4" euroconus, c.t.c. 50 mm Base-connections from front view: inlet = left, outlet = right
<b>Height</b>	200 mm
<b>Types</b>	Type 22 – 33
<b>Warranty</b>	10 years on manufacturing errors, only when the radiator is used under normal circumstances in a heating system using warm water
<b>Delivered including</b>	<ul style="list-style-type: none"> <li>• Separate thermostatic insert M30 x 1,5</li> <li>• Top grid and side panels</li> <li>• Blind plug, air vent and siphon</li> </ul>

Connections



Heat emission  
Super-8 Compact 200

Type		22			33		
		Watt			Watt		
		EN442 55/45/20 °C			EN442 55/45/20 °C		
		EN442 75/65/20 °C			EN442 75/65/20 °C		
Height	Length	Order No.			Order No.		
200	800	9180543	551	280	9185208	780	398
	1000	9184210	689	350	9185210	975	498
	1200	9184212	827	420	9185212	1170	598
	1400	9184214	965	490	9185214	1365	697
	1600	9184216	1102	560	9185216	1560	797
	1800	9184218	1240	630	9185218	1755	896
	2000	9184220	1378	700	9185220	1950	996
	2200	9184222	1516	770	9185222	2145	1096
	2400	9184224	1654	840	9185224	2340	1195
	2600	9184226	1791	910	9185226	2535	1295
	2800	9184228	1929	980	9185228	2730	1394
3000	9184230	2067	1050	9185230	2925	1494	

Heat emission  
Super-8 Plateau 200

Type		22			33		
		Watt			Watt		
		EN442 55/45/20 °C			EN442 55/45/20 °C		
		EN442 75/65/20 °C			EN442 75/65/20 °C		
Height	Length	Order No.			Order No.		
200	800	9188208	513	261			
	1000	9188210	641	326	9188210	983	502
	1200	9188212	769	391	9188212	1180	603
	1400	9188214	897	456	9188214	1376	703
	1600	9188216	1026	521	9188216	1573	803
	1800	9188218	1154	586	9188218	1769	904
	2000	9188220	1282	651	9188220	1966	1004
	2200	9188222	1410	717	9188222	2163	1105
	2400	9188224	1538	782	9188224	2359	1205
	2600	9188226	1666	847	9188226	2556	1305
	2800	9188228	1795	912	9188228	2752	1406
3000	9188230	1923	977	9188230	2949	1506	



## Super-8 Sani Coat

The Super-8 Sani Coat is ideal for (more) humid rooms like the bathroom, kitchen, toilet or garage. The radiator is optimally protected against rust by a thick and durable extra basis layer powder coating in the color RAL 9016. This doesn't just extend the lifespan of the radiator, but it's also more environmentally friendly compared to other anti-rust treatments.

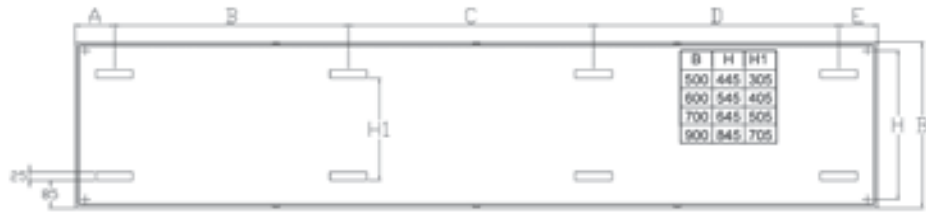
This series comes without top grid and side panels, but the rest of the specifications are the same as the Thermrad Super-8 Compact. Because of its long lifespan, this radiator is ideal in combination with a private service contract or maintenance contracts with housing associations.

---

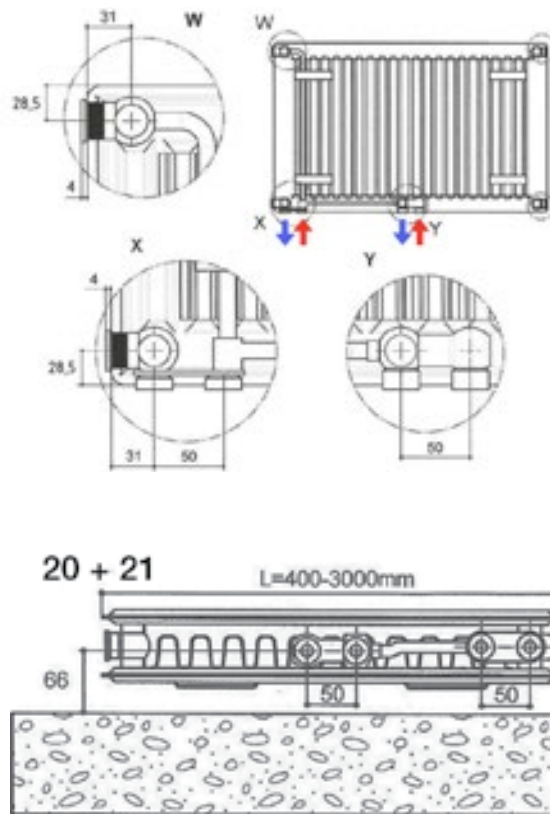
Heat emission	According to the European Standard EN442
Material	Cold rolled steel according to EN10130 Surface treatment in 5 phases: <ul style="list-style-type: none"> <li>• Alkaline degreasing</li> <li>• Phosphating</li> <li>• Cathodic priming</li> <li>• Epoxy powder coating</li> <li>• Powder coating at 210°C</li> </ul>
Color	White RAL 9016
Maximum operating temperature	110°C
Work pressure	10 bar
Molding pressure	13 bar
Connections	4x side-connection 1/2" 4x base-connection 3/4" euroconus, c.t.c. 50 mm Base-connections from front view: inlet = left, outlet = right
Heights	500 – 600 – 700 – 900 mm
Types	Type 20 – 21
Warranty	10 years on manufacturing errors, only when the radiator is used under normal circumstances in a heating system using warm water
Delivered including	<ul style="list-style-type: none"> <li>• Separate thermostatic insert M30 x 1,5</li> <li>• Suspension strips and locking click consoles</li> <li>• Hexagon head wood screws and wall plugs</li> <li>• Blind plug, air vent and siphon</li> </ul>



Position of the suspension strips



Piping connections (rear view)



Heat emission

Height	Length	Type 20			Type 21		
		Watt			Watt		
		EN442 55/45/20 °C			EN442 55/45/20 °C		
		EN442 75/65/20 °C			EN442 75/65/20 °C		
		Order No.			Order No.		
500	800	9189247	708	335	9189248	945	447
	500	9189249	513	389	9189250	661	519
	600	9189251	615	276	9189252	793	368
600	800	9189253	820	387	9189254	1058	514
	500	9189255	582	556	9189256	775	726
	700	9189257	814	814	9189258	1082	1082
700	500	9189259	719	719	9189260	940	940
	600	9189261	940	940	9189262	1128	1128
	800	9189263	1151	1151	9189264	1504	1504



## AluBasic

The Thermrad AluBasic is the basic model in the aluminium radiator series. This straightforward model has all the advantages of aluminium. Its high heat emission and corrosion resistance make it the ideal choice for (more) humid spaces like the bathroom or toilet.

This radiator releases a lot of heat fast because of its excellent heat conduction and limited water content, making it comfortable and energy saving.

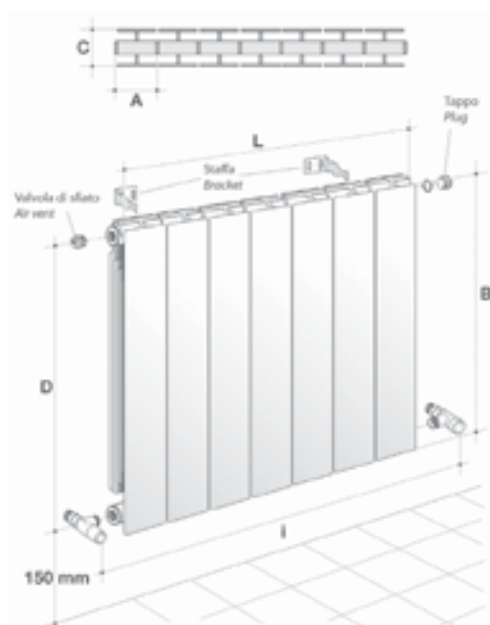
Aluminium radiators are light in weight (approx. 1/3 of steel radiators), easy on the installer's back and suitable for mounting on all kinds of walls. Because the Thermrad AluBasic is so flexible in use, it's easy to fit it into almost every living room, bathroom or toilet. Aluminium radiators are not compatible with district heating.

<b>Heat emission</b>	According to the European Standard EN442
<b>Material</b>	Aluminium
<b>Color</b>	White RAL 9016
<b>Maximum operating temperature</b>	110°C
<b>Work pressure</b>	10 bar
<b>Molding pressure</b>	13 bar
<b>Connections</b>	4x side-connection 1" down-sizable to 4x 1/2" with a full set of thread adapters and radiator plugs available separately (order No. 9721569)
<b>Heights</b>	431 – 581 – 681 – 781 – 881 mm
<b>Lengths</b>	400 – 560 – 640 – 800 mm
<b>Types</b>	Type 20 – 21
<b>Warranty</b>	10 years on manufacturing errors, only when the radiator is used under normal circumstances in a heating system using warm water
<b>General</b>	Installation by separately available mounting brackets (order No. 9721540). It's recommended to use a plastic wrench (order No. 9721541) to prevent damage to the thread adapters.

Heat emission

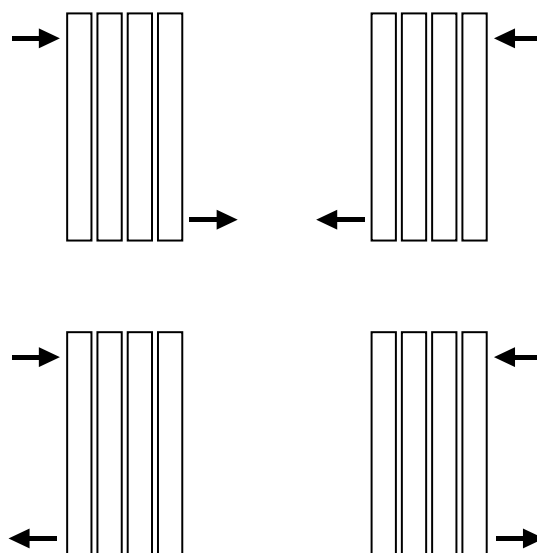
AluBasic				
Height	Length	Order No.	Watt	
			EN442 55/45/20 °C	
			EN442 75/65/20 °C	
431	400	9721527	440	224
	560	9721528	616	314
	800	9721529	880	449
581	400	9721530	585	298
	560	9721531	819	418
	640	9721532	936	477
681	400	9721533	715	365
	560	9721534	1001	511
781	400	9721535	765	390
	560	9721536	1071	546
881	400	9721537	840	428
	560	9721538	1176	600

Distance wall to heart of the connection 63 or 69 mm (2 connections)



Model	A (mm)	B (mm)	C (mm)	D (mm)
AluBasic 350	80	431	95	350
AluBasic 500	80	581	95	500
AluBasic 600	80	681	95	600
AluBasic 700	80	781	95	700
AluBasic 800	80	881	95	800

Connections





2 thermrad 3

## Accessories horizontal radiators

	Bestelnr	Omschrijving	C4 Plus	C4 Plateau	S8 Compact	S8 Sani Coat	S8 Plateau	S8 Window radiators	AluBasic
	9726088	Spare L-consoles (set of 2 pcs.) height 300mm	•	•					
	9726089	Spare L-consoles (set of 2 pcs.) height 400mm	•	•					
	9726090	Spare L-consoles (set of 2 pcs.) height 500mm	•	•					
	9726091	Spare L-consoles (set of 2 pcs.) height 600mm	•	•					
	9726092	Spare L-consoles (set of 2 pcs.) height 700mm	•	•					
	9726093	Spare L-consoles (set of 2 pcs.) height 900mm	•	•					
	9181431	Spare Click Console (p.pcs.) height 300mm. Sold per 2 pcs.			•	•	•		
	9181432	Spare Click Console (p.pcs.) height 400mm. Sold per 2 pcs.			•	•	•		
	9181433	Spare Click Console (p.pcs.) height 500mm. Sold per 2 pcs.			•	•	•		
	9181434	Spare Click Console (p.pcs.) height 600mm. Sold per 2 pcs.			•	•	•		
	9181435	Spare Click Console (p.pcs.) height 700mm. Sold per 2 pcs.			•	•	•		
	9181436	Spare Click Console (p.pcs.) height 900mm. Sold per 2 pcs.			•	•	•		
	9530346	J-bracket model Trias (set of 2 pcs.) height 200mm						•	
	9189999	Insert with automatic flow control (constant Flow) M30 x 1,5			•	•	•	•	
	9531049	Stand-alone floor console (set of 2 pcs.) for type 21			•	•	•	•	
	9531044	Stand-alone floor console (set of 2 pcs.) for 22 and 33			•	•	•	•	
	9531046	Stand-alone floor console (set of 2 pcs.) for 21	•	•					
	9530612	Stand-alone floor console (set of 2 pcs.) for 22 and 33	•	•					
	9721611	Thermrad thermostat dial M30 x 1,5 wit	•	•	•	•	•	•	•
	9180658	Magnetic towel bar 450mm, white		•			•		
	9180659	Magnetic towel bar 450mm, chrome		•			•		
	9189311	Magnetic towel bar 550mm, white		•			•		
	9189313	Magnetic towel bar 550mm, chrome		•			•		
	9721539	Set radiator plugs/adaptor rings for AluBasic (always required)							•
	9721540	Mounting kit for AluBasic (always required)							•
	9721541	Plastic wrench for adaptor rings AluBasic (prevents paint damage)							•

# Vertical radiators







**Vertical Compact**



**Vertical Plateau**



**Vertical Line Plateau**

## Vertical radiators

As of its high heat emission, the Thermrad Vertical series is ideal for situations with limited wall space and a high heat demand like the hallway, kitchen or living room.

The pipes should always be connected to 2 of the 4 connections on the base of the radiator. A design cover block on the center-base connection is a smart solution to cover up the central heating pipes.

This affordable model is a great alternative for décor and towel radiators. Every radiator comes with mounting brackets for a fast, safe and invisible wall mounting.

The **Thermrad Vertical Compact** has a contoured, ribbed front panel and serves well as a stylish addition to the classic panel radiator. Perfect in combination with other Thermrad panel radiators, like the Super-8 Compact and Compact-4 Plus.

The **Thermrad Vertical Plateau** has a decorative, straight front panel and adds a spark of luxury to every interior. Magnetic towel bars can be ordered separately, completing this radiator for optimal use in the bathroom or kitchen.

The **Thermrad Vertical Line Plateau** has a decorative design flat front panel with vertical lines. This radiator fits in perfectly with a sleek and modern interior.



**Heat emission  
Material**

According to the European Standard EN442  
Cold rolled steel according to EN10130  
Surface treatment in 5 phases:

- Alkaline degreasing
- Phosphating
- Cathodic priming
- Epoxy powder coating
- Powder coating at 210°C

**Color**

White RAL 9016

**Maximum operating  
temperature**

110°C

**Work pressure**

10 bar

**Molding pressure**

13 bar

**Connections**

2x base connection 1/2" (left - right) center-base connection 3/4" euroconus c.t.c. 50 mm  
2x top connection 1/2" (left - right) only possible with separately available top connection set (order No. 9180027)

The radiator is not reversible

Top connection for ventilation only

Inlet/outlet can be switched

**Heights**

1800 - 2000 - 2200 mm

**Types**

Type 21 - 22

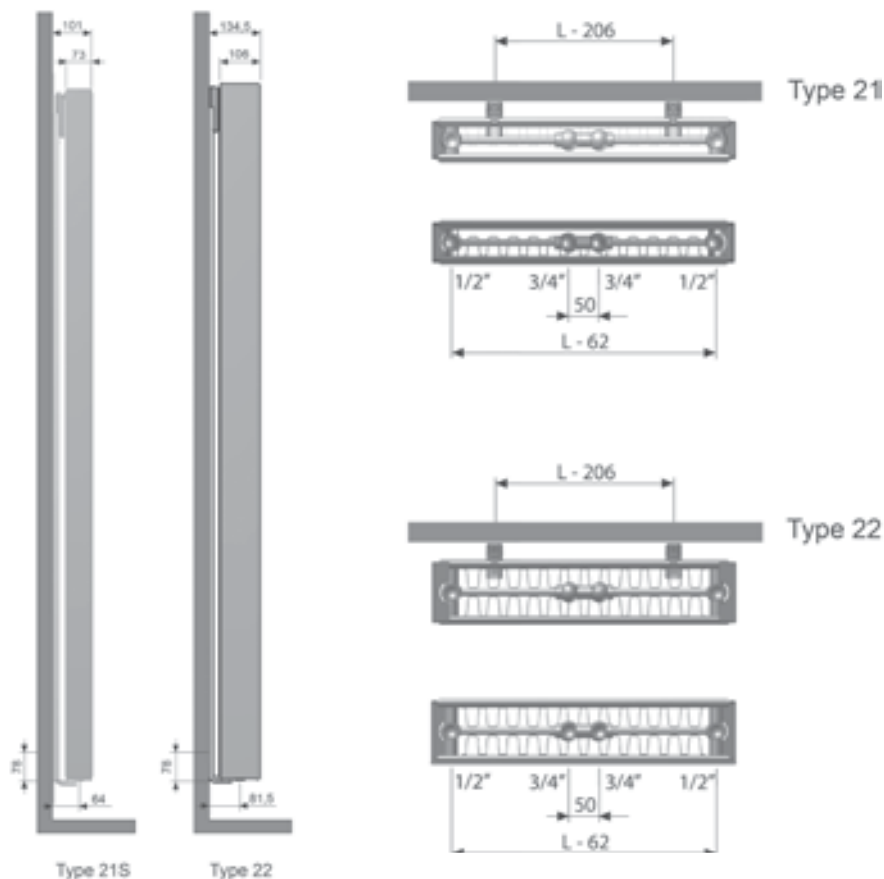
**Warranty**

10 years on manufacturing errors, only when the radiator is used under normal circumstances in a heating system using warm water

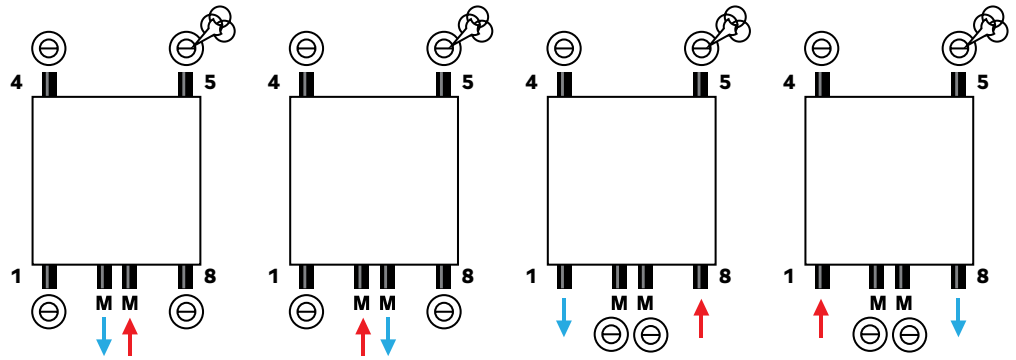
**Delivered including**

- Mounting brackets (excl. bolts and plugs)
- Blind plug and air vent
- Side trim (Excluding top grid for a higher heat emission)

**Dimensions**



Connections



Heat emission  
Vertical Compact

Type		22		
		Watt		
		EN442 55/45/20 °C		
		EN442 75/65/20 °C		
Height	Length	Order No.		
2000	400	9184204	1676	843
	500	9184205	2095	1054
	600	9184206	2514	1264
	700	9184207	2933	1475
2200	400	9184223	1795	848
	500	9184225	2244	1061
	600	9184229	2693	1273
	700	9184227	3142	1485

Heat emission  
Vertical Plateau

Type		21			22		
		Watt			Watt		
		EN442 55/45/20 °C			EN442 55/45/20 °C		
		EN442 75/65/20 °C			EN442 75/65/20 °C		
Height	Length	Order No.			Order No.		
1800	400	9183184	1120	558	9184184	1394	662
	500	9183185	1400	697	9184185	1743	828
	600	9183186	1680	836	9184186	2092	994
	700	9183187	1960	976	9184187	2440	1159
2000	400	9183204	1198	593	9188204	1509	702
	500	9183205	1498	742	9188205	1886	878
	600	9183206	1798	890	9188206	2263	1053
	700	9183207	2097	1038	9188207	2640	1229
2200	400	9183224	1283	603	9188223	1626	809
	500	9183225	1604	754	9188225	2032	1012
	600	9183226	1925	905	9188229	2438	1214
	700	9183227	2246	1056	9188227	2845	1416

Heat emission  
Vertical Line Plateau

Type		22		
		Watt		
		EN442 55/45/20 °C		
		EN442 75/65/20 °C		
Height	Length	Order No.		
2000	400	9180661	1509	702
	500	9180662	1886	878
	600	9180663	2263	1053



## Vertical Plateau-E



Heat up any space quick and easy with the Thermrad Vertical Plateau Electric radiators. The Thermrad Vertical Plateau-E combines the benefits of a vertical electric radiator with a sleek and decorative design. With its flat front panel, it blends in perfectly with any interior. This model is also suitable for small spaces and renovation projects because it's very space efficient. Main advantages:

- Intuitive control
- Control via included (easy to connect) RF-Thermostat
- Boost-function
- Open window detection
- Conform ECO Design guidelines
- Plug and Play

### Heat emission Material

According to the Ecodesign 2018 guideline (EU regulation 2015/1188)  
Cold rolled steel according to EN10130  
Surface treatment in 5 phases:

- Alkaline degreasing
- Phosphating
- Cathodic priming
- Epoxy powder coating
- Powder coating at 210°C

### Color

White RAL 9016

### Height

1800 mm

### Widths

500 – 600 – 700 mm

### Types

Type 11

### Warranty

10 years on the radiator and 2 years on the electrical parts

### Delivered including

- Prefilled with heating fluid
- RF-thermostat
- RF-receiver incl. 80 cm cable with plug
- J-consoles
- Side panels
- ETA-safety screws and plugs
- Installation manual

### Technical specifications

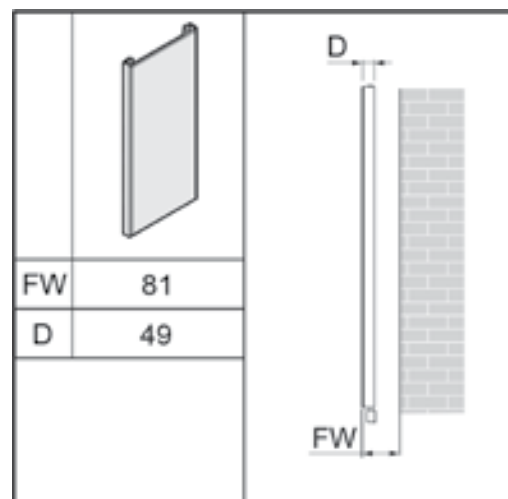
Mains voltage 220-240V ~50Hz  
IP44: protected against splash water  
Class II: double insulated  
CE-marked

**Digital RF-thermostat**

- Adjustable from + 10 °C to + 30 °C
- 4 operating modes, Auto - Comfort - ECO - Frost protection
- Week program, assign 6 different profiles a day
- Super Comfort function, 2 °C temperature rise for 20 to 120 minutes
- Boost function, maximum heat for 10 to 60 minutes
- Open window detection, engages frost protection at a significant temperature drop
- Lockable thermostat
- Operation: easy and quick to connect to a radiator, able to control multiple Thermrad Plateau-E radiators
- Display with back light, simple and intuitive

**Heat emission**

Type		11	
Height	Length	Order No.	Watt
1800	500	9180050	1250
	600	9180051	1500
	700	9180052	1750

**Dimensions**



## AluStyle

The Thermrad AluStyle is a luxurious decorative radiator with 6 connections and a sleek, vertical line pattern. With this elegant white or black matte textured finish, the radiator goes well with any interior.

As of its high heat emission, the Thermrad Vertical series is ideal for situations with limited wall space and a high heat demand like the hallway or living room. Besides, aluminium doesn't rust, so it's also suitable for humid spaces like the bathroom or kitchen. It releases a lot of heat fast because of its excellent heat conduction and limited water content, making it quick, efficient and energy saving.

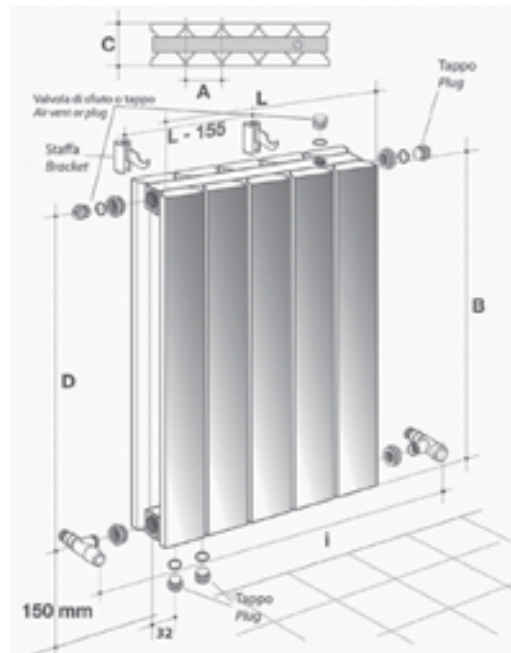
Aluminium radiators are light in weight (approx. 1/3 of steel radiators), easy on the installer's back and suitable for mounting on all kinds of walls. Because the Thermrad AluStyle is so flexible in use, it's easy to fit it into almost every living room, bathroom or toilet. Aluminium radiators are not compatible with district heating.

<b>Heat emission</b>	According to the European Standard EN442
<b>Material</b>	Aluminium
<b>Color</b>	White or black textured
<b>Maximum operating temperature</b>	110°C
<b>Work pressure</b>	10 bar
<b>Molding pressure</b>	13 bar
<b>Connections</b>	4x 1/2" side connections 2 x 1/2" base connections c.t.c. 50 mm Left or right base connection, optional by rotating the radiator
<b>Heights</b>	1833 and 2033 mm
<b>Lengths</b>	240 – 320 – 400 – 480 – 560 – 640 mm
<b>Warranty</b>	10 years on manufacturing errors, only when the radiator is used under normal circumstances in a heating system using warm water
<b>Delivered including</b>	<ul style="list-style-type: none"> <li>• Adjustable mounting brackets</li> <li>• Hexagon head wood screws and wall plugs</li> <li>• Blind plug and air vent</li> </ul>
<b>General</b>	Use included baffle plate for base connection. Top connection is only possible with radiators of max. 320 mm in length. Inlet must always be connected to the outer connection (when using base connection)

Heat emission

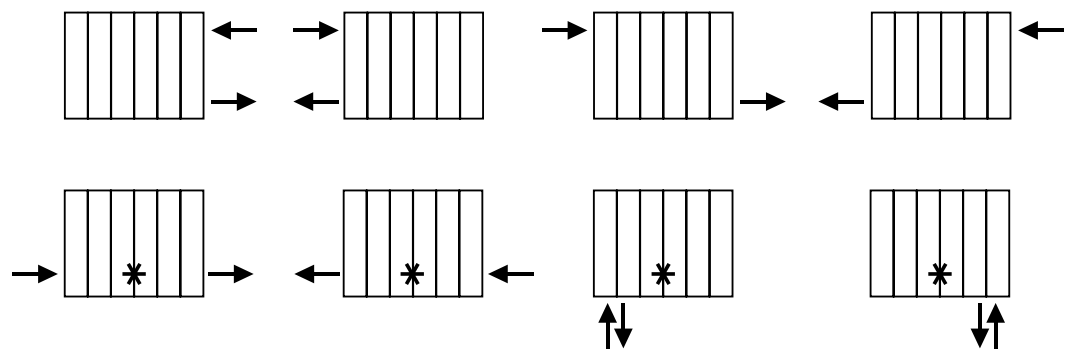
AluStyle		White			Black		
Height	Length	Watt			Watt		
		EN442 55/45/20 °C			EN442 55/45/20 °C		
		EN442 75/65/20 °C			EN442 75/65/20 °C		
		Order No.			Order No.		
1833	240	9725925	907	463	9725937	907	463
	320	9725926	1209	617	9725938	1209	617
	400	9725927	1511	771	9725939	1511	771
	480	9725928	1813	925	9725940	1813	925
	560	9725929	2115	1079	9725941	2115	1079
	640	9725930	2418	1233			
2033	240	9725931	1005	513	9725943	1005	513
	320	9725932	1340	683	9725944	1340	683
	400	9725933	1675	854	9725945	1675	854
	480	9725934	2010	1025	9725946	2010	1025
	560	9725935	2345	1196	9725947	2345	1196
	640	9725936	2680	1367	9725948	2680	1367

Distance wall to heart of the connection 62 or 68mm (2 positions)



Model	A (mm)	B (mm)	C (mm)	D (mm)
AluStyle 1800	80	1833	95	1800
AluStyle 2000	80	2033	95	2000

Connections



\* Apply baffle plate



## AluStyle Plus

The Thermrad AluStyle Plus is an especially luxurious décor radiator with a total of 6 connections. As opposed to the basic Thermrad AluStyle, the Plus model is delivered ready for installation on the center-base connections.

Besides, every radiator is prepared to connect a matching towel bar. This makes the AluStyle Plus an excellent choice for the bathroom or kitchen. Because of their high heat emission and low water content, aluminium radiators heat the space efficiently with a lower energy bill as a result.

Aluminium radiators are light in weight (approx. 1/3 of steel radiators), easy on the installer's back and suitable for mounting on all kinds of walls. Because the Thermrad AluStyle Plus is so flexible in use, it's easy to fit it into almost every living room, bathroom or toilet. The Thermrad AluStyle Plus is available in color schemes aluminium structure white and black. Aluminium radiators are not compatible with district heating.

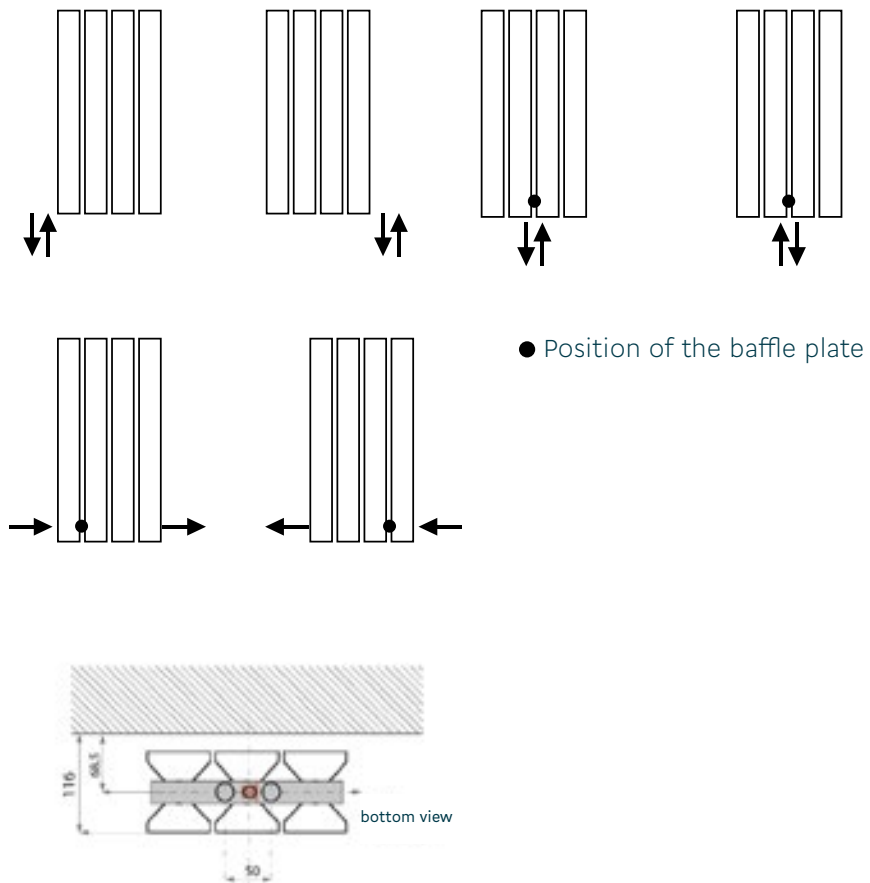
<b>Heat emission</b>	According to the European Standard EN442
<b>Material</b>	Aluminium
<b>Color</b>	White or black textured
<b>Maximum operating temperature</b>	110°C
<b>Work pressure</b>	6 bar
<b>Molding pressure</b>	10 bar
<b>Connections</b>	4x 1/2" side connections 2 x 1/2" center-base connections (MM) c.t.c. 50 mm Preassembled baffle plate with ventilation and blind plugs for connecting with a center-base connection
<b>Heights</b>	1826 and 2026 mm
<b>Lengths</b>	240 – 320 – 400 – 480 mm
<b>Warranty</b>	10 years on manufacturing errors, only when the radiator is used under normal circumstances in a heating system using warm water Delivered including <ul style="list-style-type: none"> <li>• Adjustable mounting brackets</li> <li>• Hexagon head wood screws and wall plugs</li> <li>• Blind plug and air vent</li> </ul>



Heat emission

AluStyle		White		Black	
		Watt		Watt	
		EN442 75/65/20 °C		EN442 75/65/20 °C	
Height	Length	Order No.		Order No.	
1826	240	9728933	904	9728934	904
	320	9728931	1206	9728938	1206
	400	9728928	1507	9728924	1507
	480	9728927	1808		
2026	240	9728929	983		
	320	9728925	1310		
	400	9728940	1638		
	480	9728937	1966		

Connections



\*when baffle plate is used



## AluSoft



The Thermrad AluSoft is a modern design radiator, suitable for any kind of space. The 12 cm wide vertical elements provide it with a soft, elegant look. The model for central heating systems is available in 3 different sizes and is ready for installation on the (2x 1/2") center-base connections. When needed, it's also possible to install the radiator on its (4x 1/2") side connections. The preinstalled baffle plate is easy to remove, depending on the inlet and outlet position.

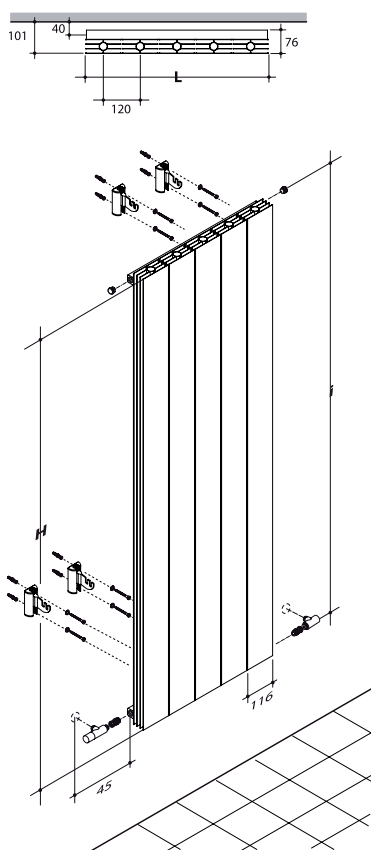
This luxurious radiator has a white matte textured finish and comes with easy-to-use adjustable suspension brackets, screws and plugs. An optional matching chrome towel bar is also available.

<b>Heat emission</b>	According to the European Standard EN442
<b>Material</b>	Aluminium
<b>Color</b>	White textured
<b>Connections</b>	<ul style="list-style-type: none"> <li>• 4x 1/2" side connections</li> <li>• 2 x 1/2" center-base connections (MM) c.t.c. 50 mm</li> <li>• Preassembled baffle plate, to be removed when using side connections</li> <li>• Top connection not possible (inlet/outlet, left/right top)</li> </ul>
<b>Height</b>	1800 mm
<b>Lengths</b>	240 – 360 – 480 mm
<b>Warranty</b>	10 years on manufacturing errors, only when the radiator is used under normal circumstances in a heating system using warm water
<b>Delivered including</b>	<ul style="list-style-type: none"> <li>• Adjustable mounting brackets</li> <li>• Hexagon head wood screws and wall plugs</li> <li>• Blind plug and air vent</li> </ul>
<b>Optional</b>	Matching towel bar (chrome)

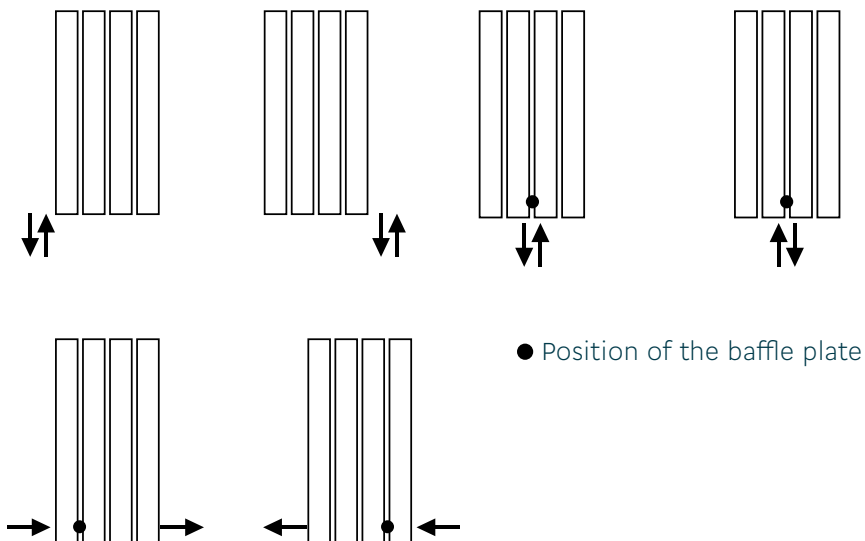
Heat emission

AluSoft		Wit		
		Watt		
		EN442 55/45/20 °C		
		EN442 75/65/20 °C		
Height	Length	Order No.		
1800	240	9728911	636	324
	360	9728915	955	487
	480	9728912	1273	649

Dimensions



Connections





## AluSoft-E



The Thermrad AluSoft is also available in a 100% electric model. The Thermrad AluSoft-E has a high-tech digital clock thermostat and lives up to the current EcoDesign guidelines for electrical products. It's in safety class II, double insulated and protected against splash water (IPX4). Use the preassembled 1.2 m cable (contact plug not included) to simply plug the electric radiator into a nearby socket.

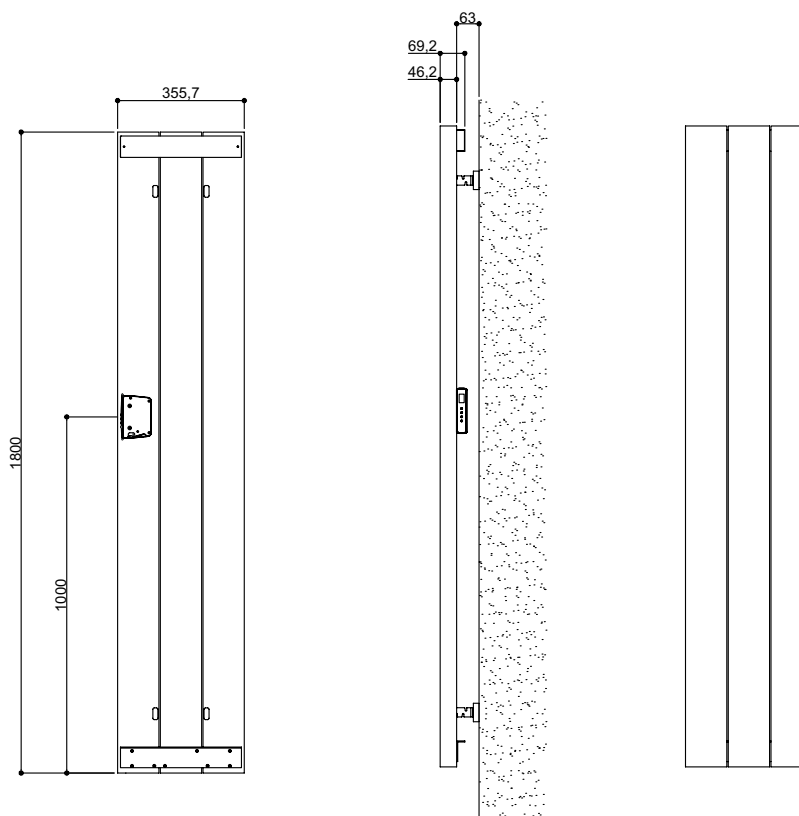
With its 1800 x 360 mm dimensions, the radiator has an electrical power of 1500 Watt. It's available with a white or black matte textured finish and is delivered including convenient adjustable mounting brackets, screws and plugs. An optional matching chrome towel bar is also available.

- Heat emission** According to the European Standard EN442
- Material** Aluminium
- Color** White textured
- Height** 1800 mm
- Lengths** 360 mm
- Warranty** 10 years on radiator manufacturing errors and 2 years on electrical parts
- Delivered including**
  - Adjustable mounting brackets
  - Hexagon head wood screws and wall plugs
  - High-tech digital (clock) thermostat with:
    - Comfort and night program
    - 24/7 week program
    - Frost protection program
    - Open window detection
  - 1.2 m cable, contact plug not included
- General**
  - Complies with EcoDesign ERP18 guidelines
  - IPX4: protected against splash water
  - Class II: double insulated

**Heat emission**

AluSoft Electric				White	Black
Height	Length	Thickness	Watt	Order No.	Order No.
1800	360	76	1500	9728916	9728935

**Dimensions**





## Accessoires vertical radiators

			Vertical Plateau	Vertical Line Plateau	Vertical Compact	AluStyle	AluStyle Plus	AluSoft	AluSoft-E
	<b>Order No.</b>	<b>Description</b>							
	9180027	Set for top connections	•	•	•				
	9180647	Spare J-bracket (set à 2 pcs.) height 1800mm	•	•	•				
	9180648	Spare J-bracket (set à 2 pcs.) height 2000mm	•	•	•				
	9180649	Spare J-bracket (set à 2 pcs.) height 2200mm	•	•	•				
	9189229	Stainless steel towel bar for 400mm width	•	•	•				
	9189230	Stainless steel towel bar for 500mm width	•	•	•				
	9189231	Stainless steel towel bar for 600mm width	•	•	•				
	9189232	Stainless steel towel bar for 700mm width	•	•	•				
	9180658	Magnetic towel bar 450mm, white	•	•					
	9180659	Magnetic towel bar 450mm, Chrome	•	•					
	9189311	Magnetic towel bar 550mm, white	•	•					
	9189313	Magnetic towel bar 550mm, Chrome	•	•					
	9726052	Spare plug set, baffle plate and radiator plugs a.o.				•			
	9728923	Spare mounting kit for AluStyle				•			
	9728926	Spare radiator plugs for AluStyle Plus					•		
	9728936	Spare mounting kit for AluStyle Plus					•		
	9728909	Spare plug set for AluSoft						•	
	9728908	Spare mounting kit for AluSoft						•	•
	9728939	Towel bar for AluStyle Plus 240mm					•		
	9728932	Towel bar for AluStyle Plus 320mm					•		
	9728930	Towel bar for AluStyle Plus 400mm					•		
	9728941	Towel bar for AluStyle Plus 480mm					•		
	9728914	Towel bar for AluSoft 240mm						•	
	9728910	Towel bar for AluSoft 360mm						•	•
	9728913	Towel bar for AluSoft 480mm						•	
	9721611	Thermrad thermostat dial M30 x 1,5 white	•	•	•	•	•	•	



# Towel radiators





## Basic-E



The Thermrad Basic-E, an electric towel radiator, is a stylish way to save on energy, installation and maintenance. An environmentally friendly alternative, especially when using 'green' solar power. Easy to install in any kind of bathroom. All you need is a wall socket. Color white, RAL 9016 and available in 300 W, 500 W, 750 W and 1000 W models, complete with digital programmable room thermostat with various options.

### Heat emission

### Material

### Color

### Heights

### Width

### Warranty

### Delivered including

### Technical specifications

According to the Ecodesign 2018 guideline (EU regulation 2015/1188)

Steel

White RAL 9016

696 - 918 - 1177 - 1806 mm

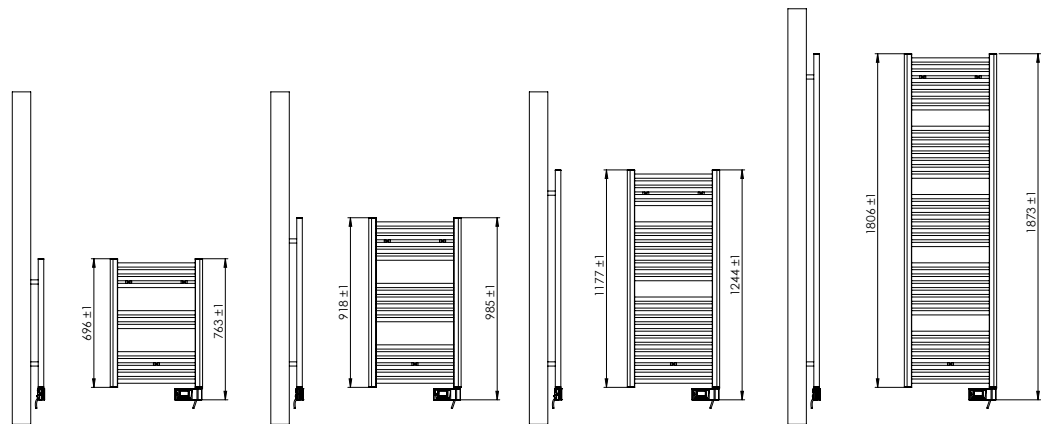
500 mm

10 years on radiator manufacturing errors and 2 years on electrical parts

- Prefilled with heating fluid
- Thermostat incl. 140 cm cable with plug
- Mounting brackets
- Screws and plugs
- Mains voltage 220-240V ~50Hz
- IP44: protected against splash water
- Class II: double insulated
- CE-marked

**Digital thermostat**

- 4 operating modes: Auto - Comfort - ECO – Frost protection
- Week program with 30 minute steps: 9 preset programs and 4 custom programs
- Open window detection, engages frost protection at significantly low temperatures
- Be right back function
- 'Fil Pilot' communication function
- 'Timer' (boost) function
- EEPROM-memory: remembers product configuration in the event of power loss
- System settings menu

**Dimensions****Heat emission**

Type		White	
Height	Length	Order No.	Watt
<b>696</b>	500	9728946	300
<b>918</b>	500	9728947	500
<b>1177</b>	500	9728948	750
<b>1806</b>	500	9728949	1000





## Basic-4

The Thermrad Basic-4 is the basic model within Thermrad's towel radiator series. This type of radiator has 4 connections and is available in the color white (RAL 9016) in 8 different dimensions.

This towel radiator is also available in a chromed model for an extra luxurious look and feel. The Thermrad Basic-4 in chrome is available in 2 sizes.

The Thermrad Basic-4 towel radiators are delivered including mounting materials and radiator plugs.

### Heat emission

### Material

### Max. work pressure

### Colors

### Connections

### Heights

### Lengths

### Warranty

### Delivered including

According to the European Standard EN442

Steel

10 bar

White RAL 9016 and chrome

4x 1/2" connections

764 - 1172 - 1750 mm

500 - 600 - 750 mm

Center-to-center size: Length +/- 44 mm

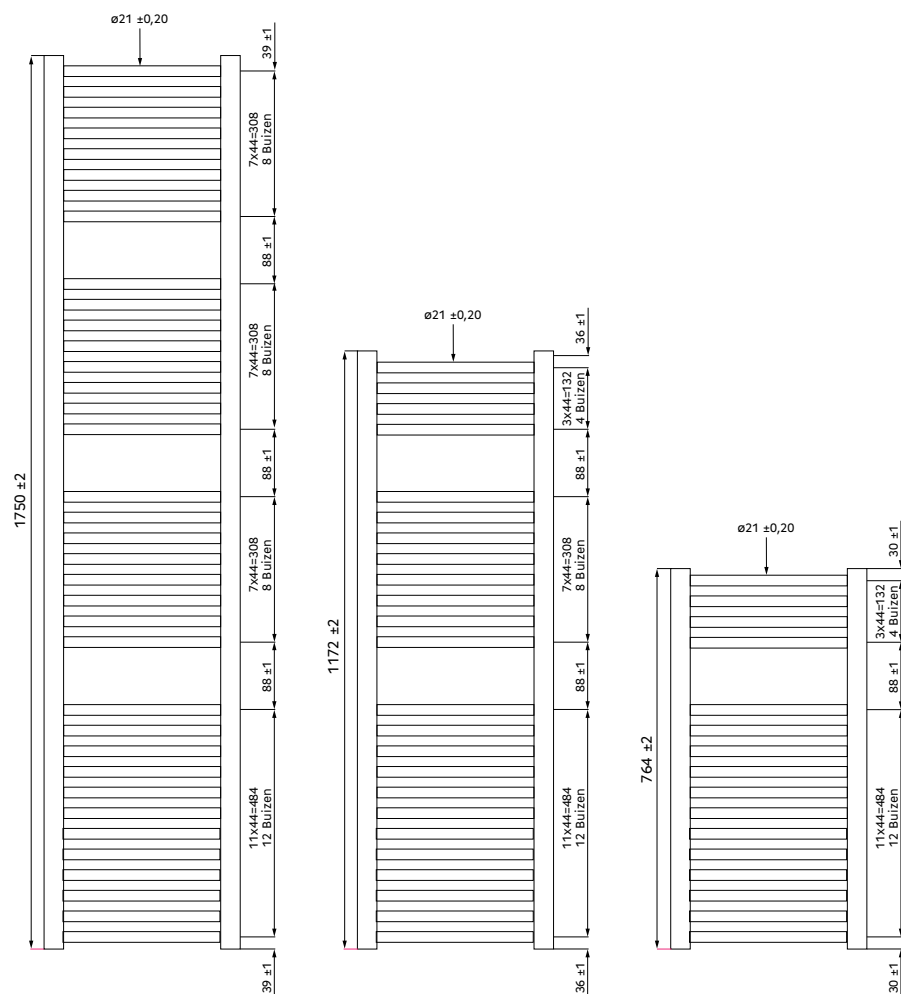
10 years on manufacturing errors, only when the radiator is used under normal circumstances in a heating system using warm water

- Mounting brackets
- Hexagon head wood screws and wall plugs
- Blind plug and air vent

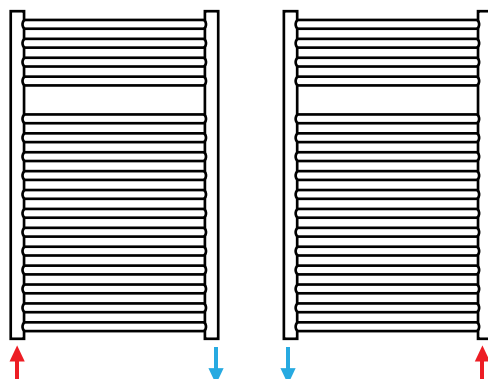
Heat emission

		White			Chrome		
		Watt			Watt		
		EN442 55/45/20 °C			EN442 55/45/20 °C		
		EN442 75/65/20 °C			EN442 75/65/20 °C		
Height	Length	Order No.			Order No.		
764	500	9726094	373	190			
	600	9726095	438	223			
1172	500	9726096	563	287	9726104	373	190
	600	9726097	662	338	9726105	436	222
	750	9726098	806	411			
1750	500	9726099	821	419			
	600	9726100	964	492			
	750	9726101	1174	599			

Dimensions



Connections





## Basic-6

The Thermodrad Basic-6 towel radiator is available in 7 different sizes in the color white (RAL9016). This basic model has 6 connections, making it universally usable. All Thermodrad towel radiators with D-profile collectors and horizontal round pipes are ideal for any bathroom. The included plastic cap gives the center-base connection a neat finish.

The Thermodrad Basic-6 towel radiators are delivered including mounting materials and radiator plugs.

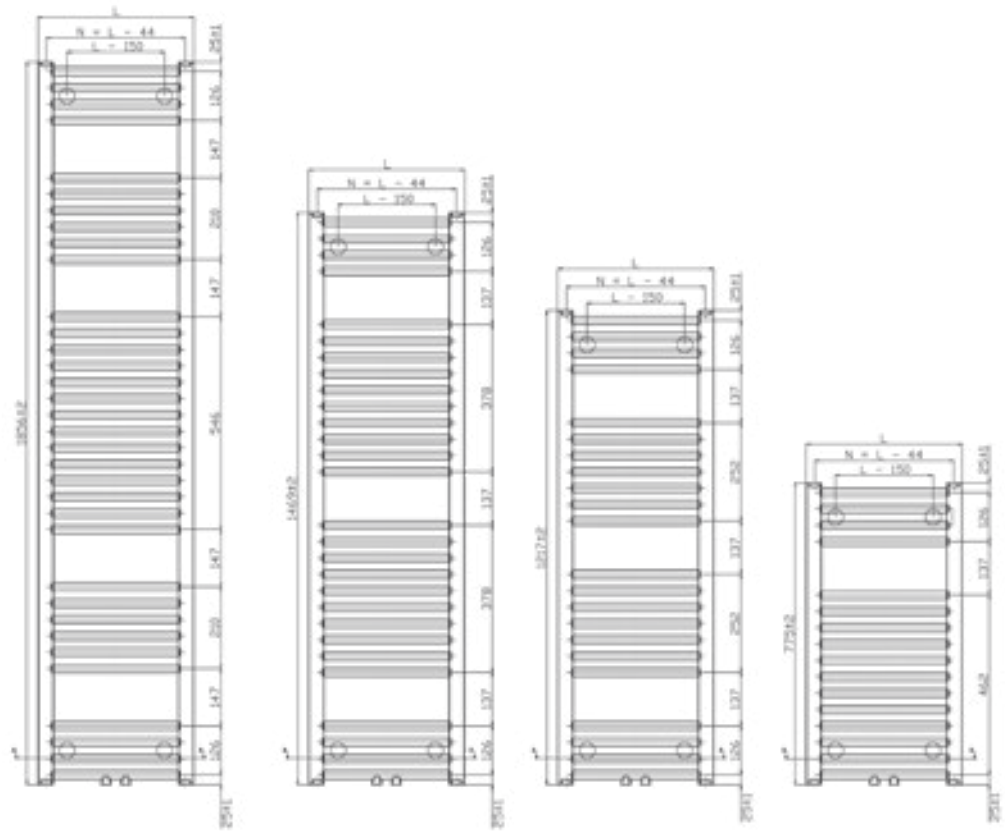
<b>Heat emission</b>	According to the European Standard EN442
<b>Material</b>	Steel
<b>Max. work pressure</b>	10 bar
<b>Color</b>	White RAL 9016
<b>Connections</b>	4x 1/2" connections 2x 1/2" center-base connections c.t.c. 50 mm
<b>Heights</b>	775 – 1217 – 1469 – 1856 mm
<b>Lengths</b>	500 – 600 mm Center-to-center size: Length +/- 44 mm
<b>Warranty</b>	5 years on manufacturing errors, only when the radiator is used under normal circumstances in a heating system using warm water
<b>Delivered including</b>	<ul style="list-style-type: none"> <li>• Mounting brackets</li> <li>• Hexagon head wood screws and wall plugs</li> <li>• Blind plug and air vent</li> <li>• Plastic cap for center-base connections</li> </ul>



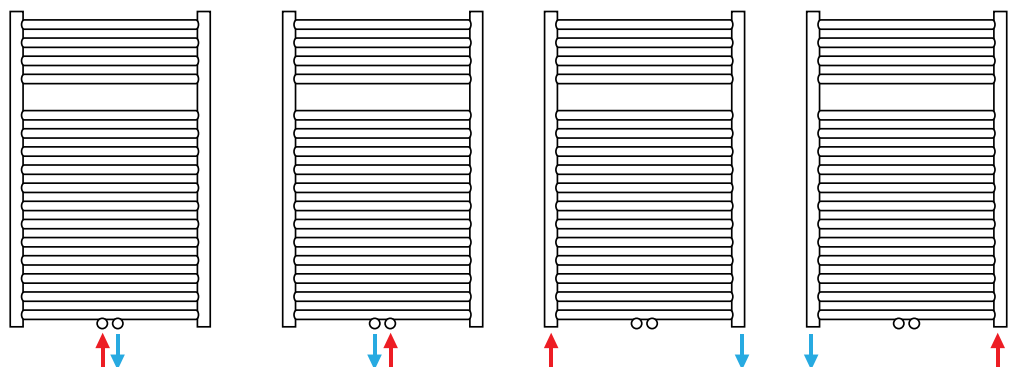
Heat emission

		White		
		Watt		
		EN442 55/45/20 °C		
		EN442 75/65/20 °C		
Height	Length	Order No.		
775	500	9201014	358	183
	600	9201015	512	261
1217	500	9201016	598	305
	600	9201017	631	322
1469	500	9201018	740	377
	600	9201019	788	402
1856	500	9201020	925	472
	600			

Dimensions



Connections

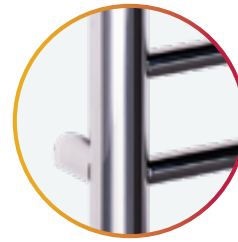




Brushed matte  
stainless steel



High gloss, polished  
stainless steel



## Lina

The Thermrad Lina towel radiator is constructed from stainless steel (so it doesn't rust!) and has an attractive esthetic appearance. The Thermrad Lina has a near invisible center-based connection, finely concealed in the lower radiator pipe. The attachment points for this radiator are neatly designed and placed. A perfect fit for your towel every time! Because the Lina isn't painted, rust or peeling off paint is out of the question. Therefore, this is the only radiator that allows you to directly dry your towel. This radiator is available in high gloss, polished stainless steel and in brushed matte stainless steel.

### Heat emission

### Material

### Max. work pressure

### Colors

### Connections

### Heights

### Lengths

### Warranty

### Delivered including

According to the European Standard EN442

Stainless steel 304

6 bar

High gloss, polished stainless steel and brushed matte stainless steel

4x 1/2" connections

2x 1/2" center-base connections c.t.c. 50 mm

1200 and 1600 mm

500 and 600 mm

Center-to-center size: Length +/- 32 mm

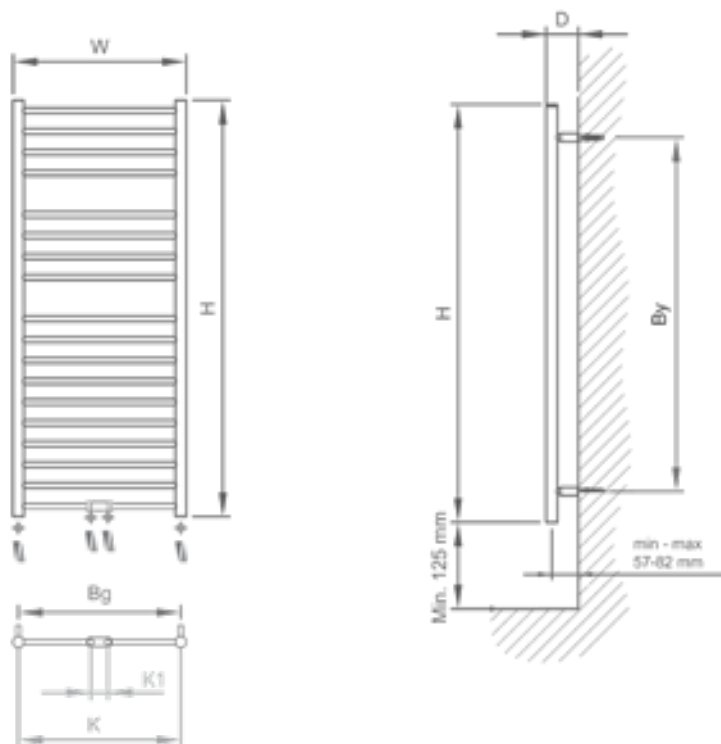
15 years on manufacturing errors, only when the radiator is used under normal circumstances in a heating system using warm water

- Mounting brackets
- Hexagon head wood screws and wall plugs
- Blind plug and air vent

Heat emission

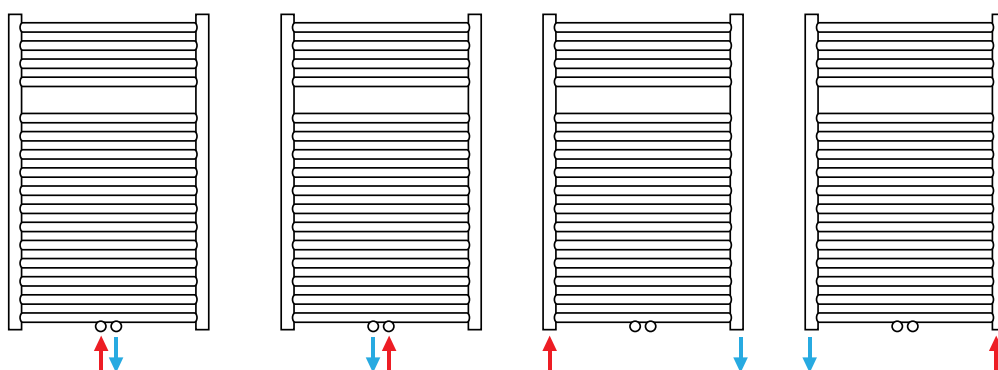
		Matte			High Gloss		
		Watt			Watt		
		EN442 55/45/20° C			EN442 55/45/20° C		
		EN442 75/65/20° C			EN442 75/65/20° C		
Height	Length	Order No.			Order No.		
1200	500	9790015	266	136	9790016	266	136
	600	9790017	304	155	9790018	304	155
1600	500	9790019	345	176	9790020	345	176
	600	9790021	393	200	9790022	393	200

Dimensions



W	H	D	K	K1	BG	By
500	1200	73-98	468	50	468	1020
600	1200	73-98	568	50	568	1020
500	1600	73-98	468	50	468	1420
600	1600	73-98	568	50	568	1420

Connections



## Accessories towel radiators



Solar art.nr	Description	Basic-4	Basic-6	Lina	Basic-E
9728944	Mounting kit white	•			
9728945	Mounting kit chrome	•			
9200021	Spare mounting kit Basic White RAL 9016		•		
9200023	Spare cap center-base connection white		•		
9728942	Mounting kit high gloss			•	
9728943	Mounting kit matte			•	
9728959	Mounting kit white				•





# Underfloor heating



## Underfloor heating distributors

The distributor or control unit is the beating heart of any underfloor heating system, making sure the right amount of water with the perfect temperature is distributed over each room and/or group. We offer a broad range of composite (synthetic) and steel distributors for every situation. They are suitable for main as well as additional heating.

It's also possible to order a custom underfloor heating distributor, designed for your situation. For use with district heating, for example. Or a distributor for a 3 or 4 pipe system. Just ask us about the possibilities!

## Underfloor heating distributor Standard



The easy to install basic steel distributor is the most used model. It has an integrated, energy saving, A-label pump in the merging pipe between the inlet and outlet bar. The thermostatically prepared valves and multifunctioning foot valves on each group, ensure double locking and adjustability of the underfloor heating.

This edition can only be used for heating. A special 1-group mini model is available for small (built-in) rooms, like a bathroom or fuse box (order No. 9290216).

Installation dimensions (mm)

Model	Width	Height	Depth	Order No.
1-groeps	250	440	180	9290246
2-groeps	250	440	180	9290247
3-groeps	310	440	180	9290248
4-groeps	370	440	180	9290249
5-groeps	430	440	180	9290250
6-groeps	490	440	180	9290251
7-groeps	550	440	180	9290252
8-groeps	610	440	180	9290253
9-groeps	670	440	180	9290254
10-groeps	730	440	180	9290255
11-groeps	790	440	180	9290256
12-groeps	850	440	180	9290257
13-groeps	910	440	180	9290259
14-groeps	970	440	180	9290575
15-groeps	1030	440	180	9290576
16-groeps	1090	440	180	9290577

Others on request

**Application:** main and additional heating

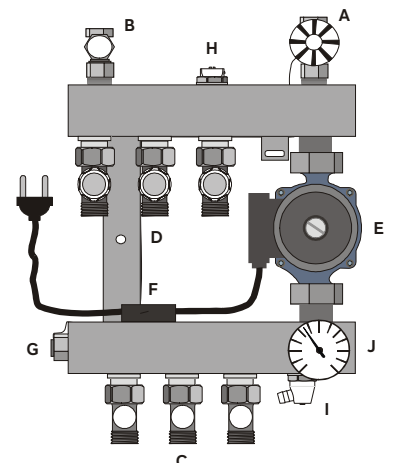
**Type:** standard hydraulically neutral assembly, suitable for HR boilers

The group's inlet and outlet are on top of each other instead of behind each other, ensuring easy access when installing

- A. Thermostat valve with control element - inlet central heating
- B. Foot valve - outlet central heating
- C. Foot valve - inlet underfloor heating (euroconus connection)
- D. Thermostatically prepared group valve - outlet underfloor heating (euroconus connection)
- E. Circulation pump, energy saving
- F. Thermal safety switch
- G. Dip tube + sensor with capillary
- H. Air vent
- I. Siphon
- J. Temperature gauge

### Options

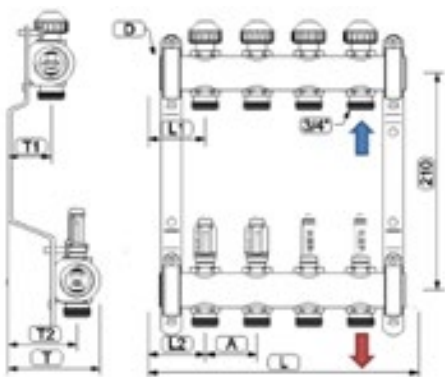
- Flow meters on every group (order No. 9290045)



## Distributor underfloor heating Brass with flow meters, without pump



Brass distributors come without a pump, making them ideal for installation within a heat pump system. The flow meters, preassembled on the (lower) inlet bar, allow you to simply look into the flow numbers per group. The (upper) outlet bar is fitted with thermostatic valves M30 x 1,5 and can be equipped with Thermod thermal engines per group. The high end brass distributors are suitable for systems with underfloor heating and cooling. They are delivered with an end set for filling and draining, mounting brackets and flow meters. The 1" ball valve can be used for connection to the installation. The brass distributor can also be expanded with a pump group.



**Application:** main/additional heating and cooling  
**Type:** distributor/collector, high quality brass

**Options**

- Ball valve 1" external thread (order No. 9290666)
- Pump group (order No. 9290668)
- Spare end set (order No. 9290667)

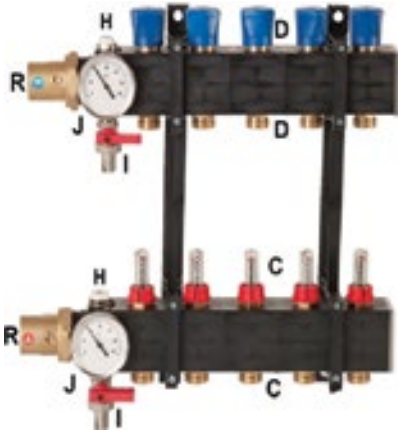
	D	mm
T1	1" internal thread	37mm
T2	1" internal thread	62mm
T	1" internal thread	83mm

A	L1	L2
50mm	35mm	35mm

Groups	Order No.	L (mm)
2	9290655	120
3	9290656	170
4	9290657	220
5	9290658	270
6	9290659	320
7	9290660	370
8	9290661	420
9	9290662	470
10	9290663	520
11	9290664	570
12	9290665	620



## Distributor underfloor heating Composite Industrial



The synthetic distributors are made from high quality composite material, allowing heating and cooling without condensation. The easy-to-install units are made up of modular inlet and outlet elements, making it easy to expand the system for extra groups. All of the distributors are equipped with high grade materials, including thermostatically prepared valves (adjustable and lockable), flow meters and thermometers. This system is perfect in combination with a heat pump system, that's why this distributor comes without a pump. The flow meters, preassembled on the (lower) inlet bar, allow you to simply look into the flow numbers per group. This model has 1" ball valves on the inlet and outlet bar.

Installation dimensions (mm)

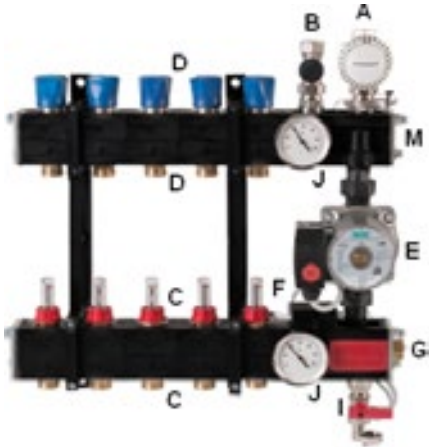
Model	Width	height	Depth	Order No.
1-groeps	170	480	170	9290390
2-groeps	230	480	170	9290391
3-groeps	290	480	170	9290392
4-groeps	350	480	170	9290393
5-groeps	410	480	170	9290394
6-groeps	470	480	170	9290395
7-groeps	530	480	170	9290396
8-groeps	590	480	170	9290397
9-groeps	650	480	170	9290398
10-groeps	710	480	170	9290399
11-groeps	770	480	170	9290400
12-groeps	830	480	170	9290401
13-groeps	890	480	170	9290402
14-groeps	950	480	170	9290403
15-groeps	1010	480	170	9290404
16-groeps	1070	480	170	9290405
17-groeps	1130	480	170	9290406
18-groeps	1190	480	170	9290407
19-groeps	1250	480	170	9290408
20-groeps	1310	480	170	9290409

**Application:** main/additional heating and cooling  
**Type:** distributor/collector, modular construction

The modular construction makes this distributor easy to install. It's assembled with adjustable/lockable thermostatically prepared valves, adjustable/lockable flow meters 0-300 l/h, temperature gauges and ball valves on the inlet and outlet bar.

- C. Secondary inlet with lockable/adjustable flow meter 0-300 l/h (3/4 euroconus connection)
- D. Secondary outlet valve M30 x 1.5 thermostatically prepared adjustable/lockable (3/4 euroconus connection)
- H. Air vent
- I. Filling/draining faucet
- J. Temperature gauge
- R. Ball valves 1" on inlet and primary outlet

## Distributor underfloor heating Composite LTV sustainable



The synthetic distributors are made from high quality composite material, allowing heating and cooling without condensation. The easy-to-install units are made up of modular inlet and outlet elements, making it easy to expand the system for extra groups. All of the distributors are equipped with high grade materials, including thermostatically prepared valves (adjustable and lockable), flow meters and thermometers. This model is the most complete and energy saving distributor within the assortment and designed especially for heating with low water temperatures.

**Application:** main/additional heating and cooling

**Type:** hydraulically adjustable, modular construction

With the model LTV sustainable, the control valve can be used to adjust the amount of outlet water. By closing the control valve "M", a difference in pressure is created and the distributor becomes hydraulically active. This model is always assembled with thermostatically prepared adjustable/lockable valves and adjustable/lockable flow meters 0-300 l/h.

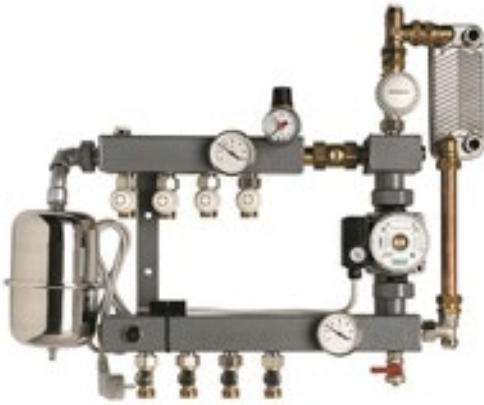
Installation dimensions (mm)

Model	Width	Height	Depth	Order No.
1-groeps	210	480	170	9290579
2-groeps	270	480	170	9290580
3-groeps	330	480	170	9290581
4-groeps	390	480	170	9290582
5-groeps	450	480	170	9290583
6-groeps	510	480	170	9290584
7-groeps	570	480	170	9290585
8-groeps	630	480	170	9290586
9-groeps	690	480	170	9290587
10-groeps	750	480	170	9290588
11-groeps	810	480	170	9290589
12-groeps	870	480	170	9290590
13-groeps	930	480	170	9290591
14-groeps	990	480	170	9290592
15-groeps	1050	480	170	9290593
16-groeps	1110	480	170	9290594

Andere op aanvraag

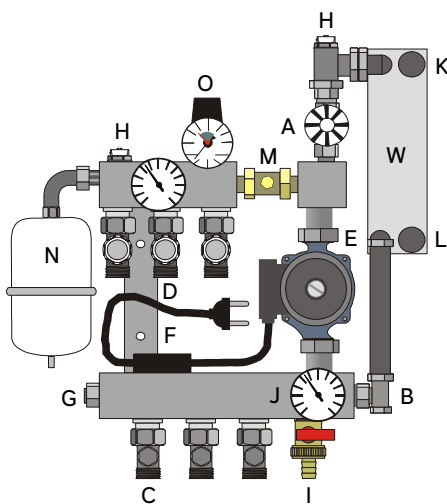
- A. Inlet primary thermostat valve with control element 10°C to 60°C
- B. Outlet primary foot valve + ventilation and filling/draining function
- C. Secondary inlet with lockable/adjustable flow meter 0-300 l/h (3/4 euroconus connection)
- D. Secondary outlet valve M30 x 1.5 thermostatically prepared adjustable/lockable (3/4 euroconus connection)
- E. Circulation pump
- F. Thermal safety switch
- G. Dip tube + sensor with capillary
- I. Filling/draining faucet
- J. Temperature gauge
- M. Control valve

## Distributor underfloor heating De Luxe (steel), with separate systems



The model De Luxe with separate systems can be used when an installation is going to be renovated and the components on the primary side of the system (like the central heating boiler) have to be protected against corrosion. This distributor separates the underfloor heating from the rest of the heating system using a heat exchanger. This high quality underfloor heating distributor contains a stainless steel plate exchanger and a 2 liter stainless steel expansion tank. When using for cooling, a composite distributor has to be placed.

**Application:** main/additional heating and district heating  
**Type:** hydraulically adjustable - balancing



- A. Thermostat valve with control element - inlet heat exchanger
- B. Foot valve - outlet heat exchanger
- C. Nipple - inlet underfloor heating (euroconus connection)
- D. Thermostatically prepared group valve - outlet underfloor heating (euroconus connection)
- E. Circulation pump
- F. Thermal safety switch
- G. Dip tube + sensor with capillary
- H. Air vent
- I. Filling/draining faucet
- J. Temperature gauge
- K. Inlet heat source
- L. Outlet heat source
- M. Check valve
- N. Stainless steel expansion tank
- O. Overflow valve with manometer
- W. Stainless steel heat exchanger

Installation dimensions (mm) | Steel

Model	Width	Height	Depth	Order No.
1-groeps	390	580	240	9290680
2-groeps	390	580	240	9290681
3-groeps	450	580	230	9290682
4-groeps	510	580	210	9290683
5-groeps	570	580	190	9290684
6-groeps	630	580	190	9290685
7-groeps	690	580	190	9290686
8-groeps	750	580	190	9290687
9-groeps	810	580	190	9290688
10-groeps	870	580	190	9290689
11-groeps	930	580	190	9290690
12-groeps	990	580	190	9290691

Installation dimensions (mm) | Composit

Model	Width	Height	Depth	Order No.
1-groeps	380	620	190	9290700
2-groeps	440	620	180	9290701
3-groeps	500	620	165	9290702
4-groeps	560	620	165	9290703
5-groeps	620	620	165	9290704
6-groeps	680	620	165	9290705
7-groeps	740	620	165	9290706
8-groeps	800	620	165	9290707
9-groeps	860	620	165	9290708
10-groeps	920	620	165	9290709
11-groeps	980	620	165	9290710
12-groeps	1040	620	165	9290711
13-groeps	1100	640	165	9290712
14-groeps	1160	640	165	9290713
15-groeps	1220	640	165	9290714
16-groeps	1280	640	165	9290715

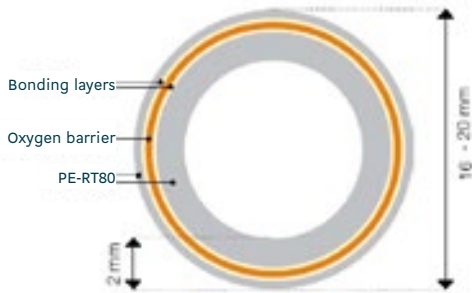
## Pipe underfloor heating | Floor

The Floor pipe is a 5-layer PE-RT 63 pipe, made from Midi-Soft synthetic material, making it extra flexible.

Starting from the outside of the pipe, it's manufactured like this:

- Thin PE-RT layer
- Adhesive layer
- Oxygen barrier
- Adhesive layer
- Thick PE-RT layer

The maximum temperature for the Floor pipe is 60°C, with a maximum pressure of 6 bar. This makes the pipe ideal for underfloor heating.



Order No.	Diameter	Roll length (meter)	On reel
9290311	16x2	120	
9290323	16x2	600	
9290312	16x2	600	X
9290178	16x2	1000	X
9290177	20x2	120	
9290003	20x2	500	

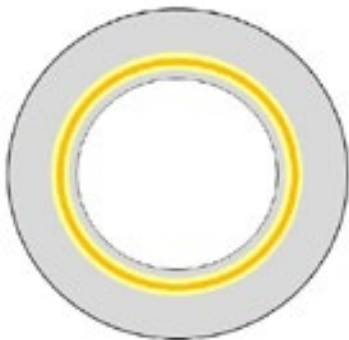
## Pipe underfloor heating | Silverline Inverse

De Silverline Inverse is een hoogwaardige 5-laags kunststof PE-RT 80 buis, gemaakt van Dowlex-2344 materiaal. In tegenstelling tot veel andere vloerverwarming buizen, worden de 5 lagen in omgekeerde volgorde geproduceerd.

The thickest PE-RT layer is situated on the outer side of the pipe, with the following advantages:

- Improvement of the pipes flexibility, easier to twist and bend
- Better protection of the anti-diffusive EVOH layer during (re)placement
- Suitable for all kinds of fittings (press, screw and plug-in fittings)

The maximum temperature for the Silverline Inverse pipe is 95°C with a maximum pressure of 6 bar. This also allows the pipe to be used for connecting radiators.



Order No.	Diameter	Roll length (meter)	On reel
9290611	16x2	90	
9290612	16x2	120	
9290613	16x2	200	
9290614	16x2	500	X
9290615	16x2	600	

Connections*		
Order No.	For tube	Internal thread
9290217	16x2	3/4" Euroconus
9290218	18x2	3/4" Euroconus
9290219	20x2	3/4" Euroconus

\*These are the connections for the Floor and Silverline Inverse pipes

# Assembly systems

## Underfloor heating assembly systems

Underfloor heating can be placed in different ways. The choice for the right assembly system partly depends on the existing insulation and whether it's placed in new/renovation projects or (non) residential buildings.

The most commonly used, economic and energy saving placement pattern is the so called Snail shell. This pattern provides a nice and even heat distribution in the space. Inlet and outlet pipes are placed next to each other in the shape of a snail shell. An alternative for spaces with cold outer walls or big windows is the Meander pattern. In this case, the first part of the pipe has to run along the coldest wall.



Snail shell pattern

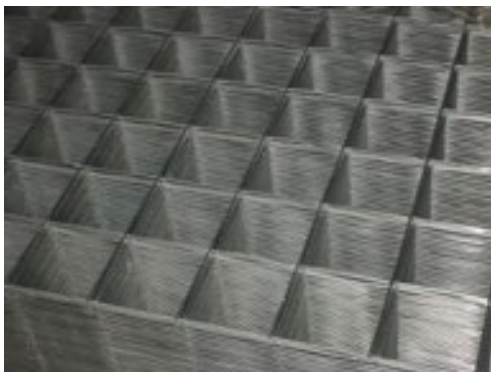


Meander pattern

In general, a 10 cm distance between the pipes is advised for main heating and 15 cm for additional heating.

We have a suitable solution for every situation and can help you make a placement plan (drawing) or help you calculate the heat loss ratio for a project.

## Underfloor heating assembly systems Carrier mats



When a new floor is placed, the carrier mat system is a much used application. The steel wire meshes are placed on the construction floor, on top of foil or insulation plates. The pipe is then connected to the steel mesh using straps before covering it up with the screed.

This assembly system for underfloor heating is known for its low installation height and is ideal for covering large areas.

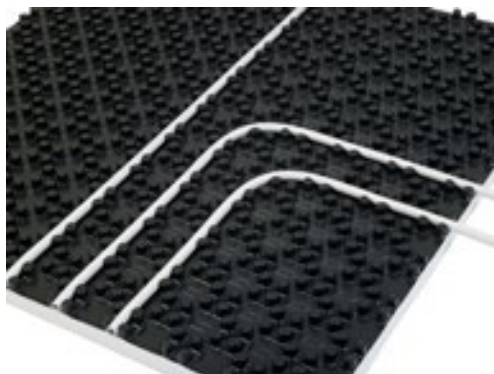
The galvanized steel mats with a wire diameter of 3.15 mm are available in 2 different types:

Grid 100 x 100 mm (dimensions 2100 x 1200 mm) 2.5m<sup>2</sup> (order No. 9290671)

Grid 150 x 150 mm (dimensions 2100 x 1200 mm) 2.5m<sup>2</sup> (order No. 9290047)

## Underfloor heating assembly systems

### Studded plates



The heavy duty studded plates with solid studs are easy to connect to each other and can be placed seamlessly. The 1m<sup>2</sup> plates are available in 3 different types and can easily be assembled by one person.

The studded plates are placed on the construction floor and attached together. Then the underfloor heating pipe (diameters 14 to 16 mm) is pressed into the studs, after which the screed is placed.

When assembled in straight lines, the placement distance between the pipes can be 50 mm or more, in 50 mm steps. When assembled diagonally, the steps are 70 mm.

#### Without insulation

Dimensions 1000 x 1000 x 18 mm (L x W x H)  
 Load capacity 75 kN/m<sup>2</sup>  
 Packed per 20 pc. (= 20 m<sup>2</sup>)  
 Order No. 9290197

#### With 11 mm insulation

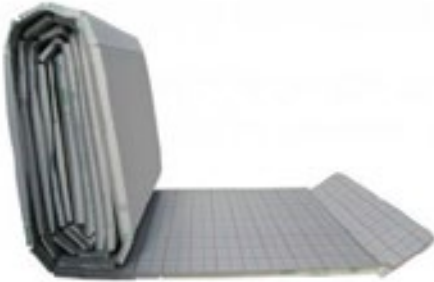
Dimensions 1000 x 1000 x 29 mm (L x W x H)  
 Load capacity 60 kN/m<sup>2</sup>  
 Insulation value / R-value 0,314 m<sup>2</sup> k/W  
 Packed per 10 pc. (=10 m<sup>2</sup>)  
 Order No. 9290061

#### With 35 mm insulation

Dimensions 1000 x 1000 x 53 mm (L x W x H)  
 Load capacity 5 kN/m<sup>2</sup>  
 Insulation value / R-value 0.778 m<sup>2</sup> k/W  
 Acoustic insulation 28 db  
 Packed per 10 pc. (=10 m<sup>2</sup>)  
 Order No. 9290062

- Assembly by 1 person
- Available as single plate or laminated with 11 mm or 35 mm PST insulation
- Heat and sound insulations
- Heavy duty (because of the solid studs)
- Seamless placement
- Pipe placement in steps of 50 mm when installing in a straight line
- Pipe placement in steps of 70 mm when installing diagonally
- Easy to connect to each other
- CFK free, so environmentally friendly
- Suitable for pipes Ø 14 x 2.0 and 16 x 2.0
- Color: black
- Complies with DIN 4108-10, DIN 4102 T1, and DIN 18164
- Vapor proof according to DIN 18560-3 and DIN 1264, protected against water and floor mixing moisture

## Underfloor heating assembly systems Tacker plates



The flat insulating plates used in the tacker system are available in 10 meter rolls with an insulation thickness of 20 mm or 30 mm.

A top layer of foil protects the system against ripping, with a 50 mm grid pattern. The insulation plate is placed on the construction floor, after which the pipes can be connected with tacker clips and the screed can be placed on top. A tacker machine and tacker machine can be ordered separately.

An extra flap makes it possible for the insulation plates to be overlapped.

### **Turbo-Roll tacker plate EPS-DESt WLG045t B1**

- Very easy to place
- Complies with DIN 4108-10 DIN4102
- With laminated, rip protection woven foil
- With printed grid 100 x 100 mm (extra grid line at 50 mm)
- With extra flap for overlapping
- H-FCKW free

Capacity: 4,0 kN/m<sup>2</sup>, TSM 28- 34 dB(A)

Dimensions: 10,000 x 1,000 = 10 m<sup>2</sup>

Thickness	R-Value	On reel of	Order No.
20-2	0,5 m <sup>2</sup> IK/ W	10m <sup>2</sup>	9290071
30-3	0,7 m <sup>2</sup> IK/ W	10m <sup>2</sup>	9290072



# Control system

## Thermrad RF wireless control system

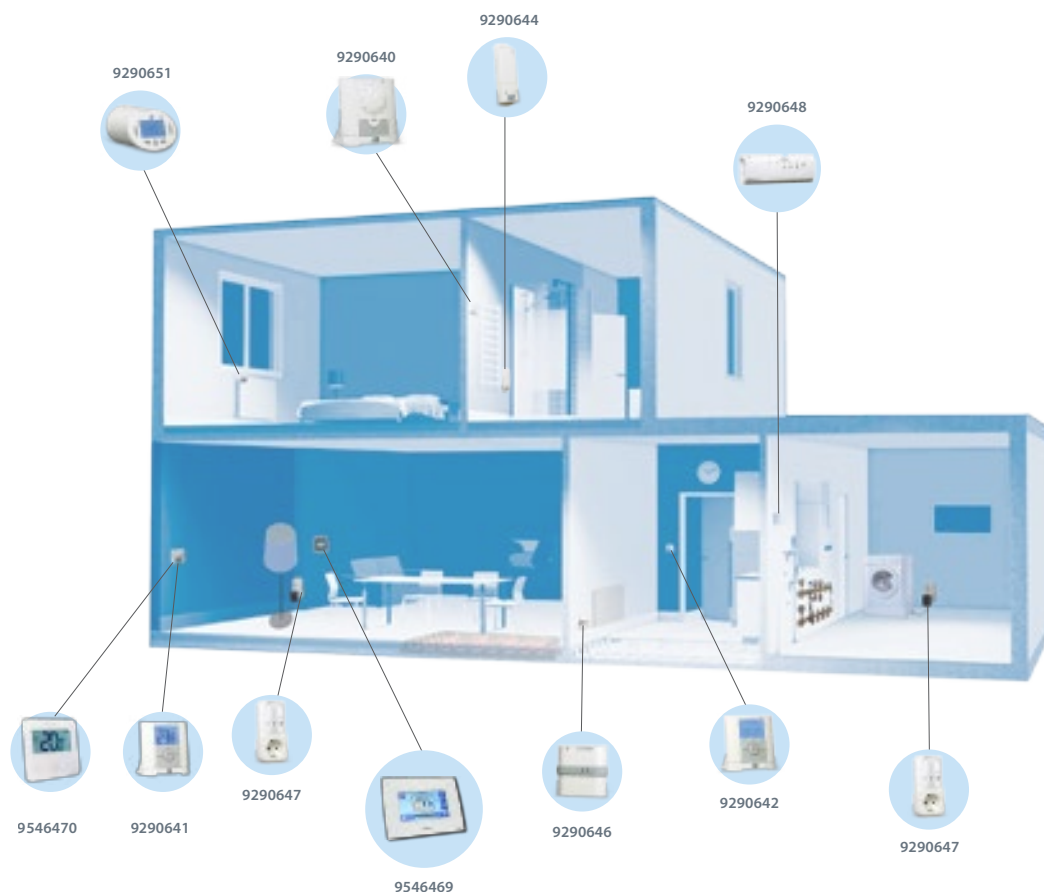
### Optimal climate comfort

The Thermrad RF control system allows you to control the temperature per room with a space thermostat or thermostatic head(s). This can help you save on your heating bill, because unused rooms won't be unnecessarily heated.

You can even use the system to cool your house, when using a heat pump for example. The system includes a full assortment of wireless mechanisms, functioning in harmony together. This way, it's easy to use the system within new or renovated systems, without having to brake walls.

### Ready for the future

It's easy to stay in charge with this control system. Whether you want to control 3 rooms or 50 spaces. The system is compatible with all kinds of heating types, like radiators, under floor heating, electric radiators and electric floor heating.







You can also use the plug-in receiver to make an on/off switch for any electrical component with a plug, lighting for example. You can control and operate the system with a central touchscreen unit (WIFI) and a free app, downloadable for iOS and Android.

- Central touchscreen unit. Full color 4.3"
- Power supply 230V/50Hz or USB (cable optional)
- RF-communication 868 MHz with WATTS-Protocol
- WIFI-communication (2,4 GHz) for smartphone and tablet (iOS, Android) and webpages
- 50 spaces (heating, lighting, on/off switches)
- Various possibilities for expansion and operation
- Free apps (iOS, Android)
- Local access and remote access via webpage
- Intuitive, plug and play. Automatic synchronization with connected devices
- Day programs
- Multilingual support. Upgrades and updates via micro SD Card (optional)

Do you want to learn more about the possibilities and components?  
Reach out to your contact person for Thermrad's heat solutions.



**thermrad**   
[www.thermrad.eu](http://www.thermrad.eu)